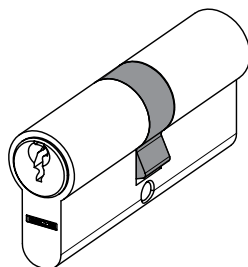
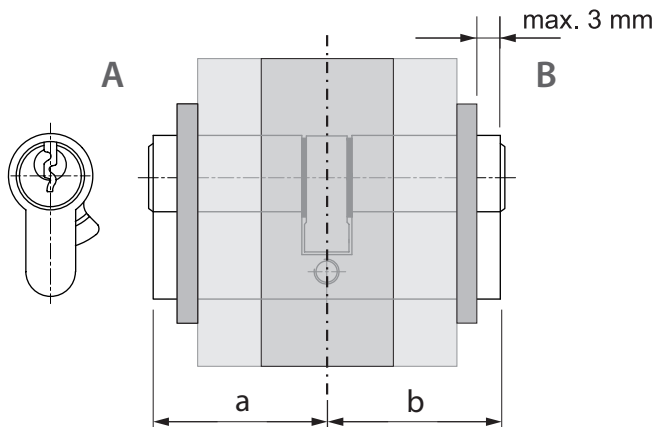
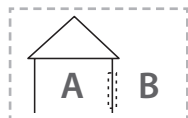


GEZE Cylinder

EPC Series



170494-00



Double profile cylinder

Half profile cylinder

Dimension a+b [mm]

Dimension a+b [mm]

Door thickness [mm]

30 + 30

30 + 10

~ 35 - 44

35 + 35

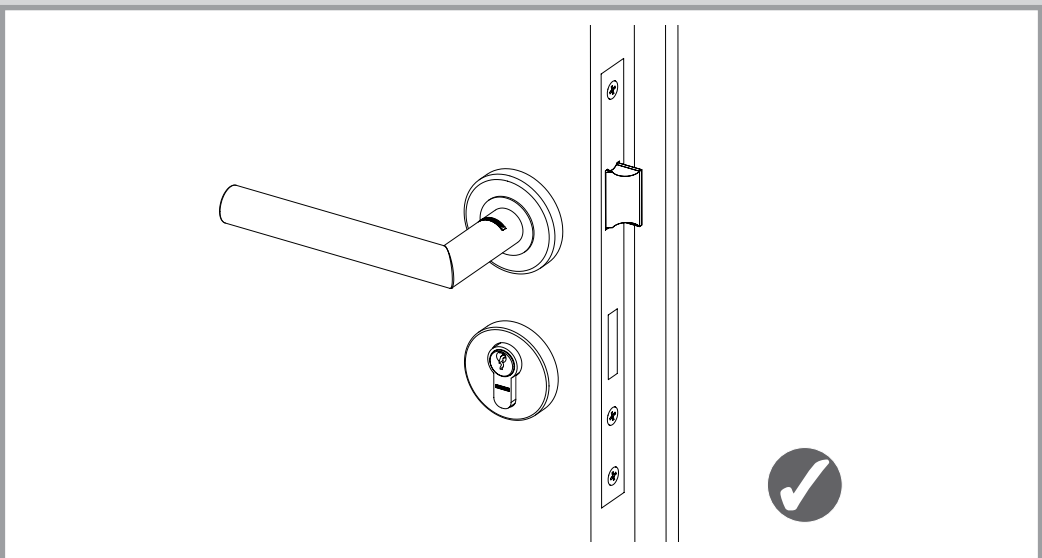
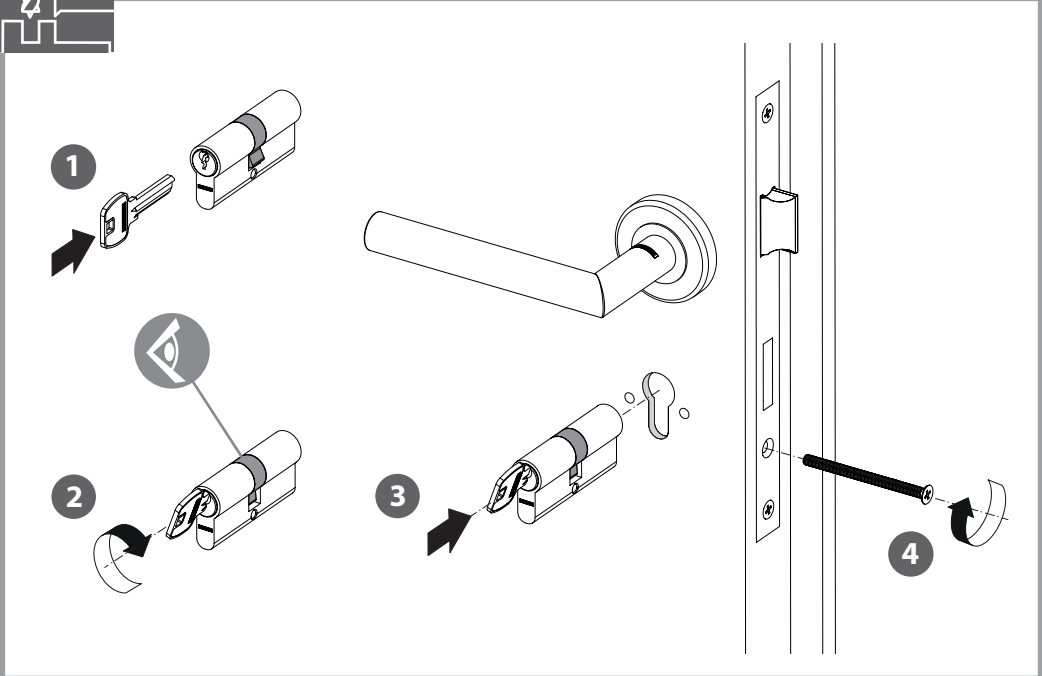
35 + 10

~ 45 - 54

40 + 40

40 + 10

~ 55 - 64



GEZE GmbH
Reinhold-Vöster-Strasse 21-29
71229 Leonberg
Germany

Tel.: 0049 7152 203 0
Fax: 0049 7152 203 310
www.geze.com

