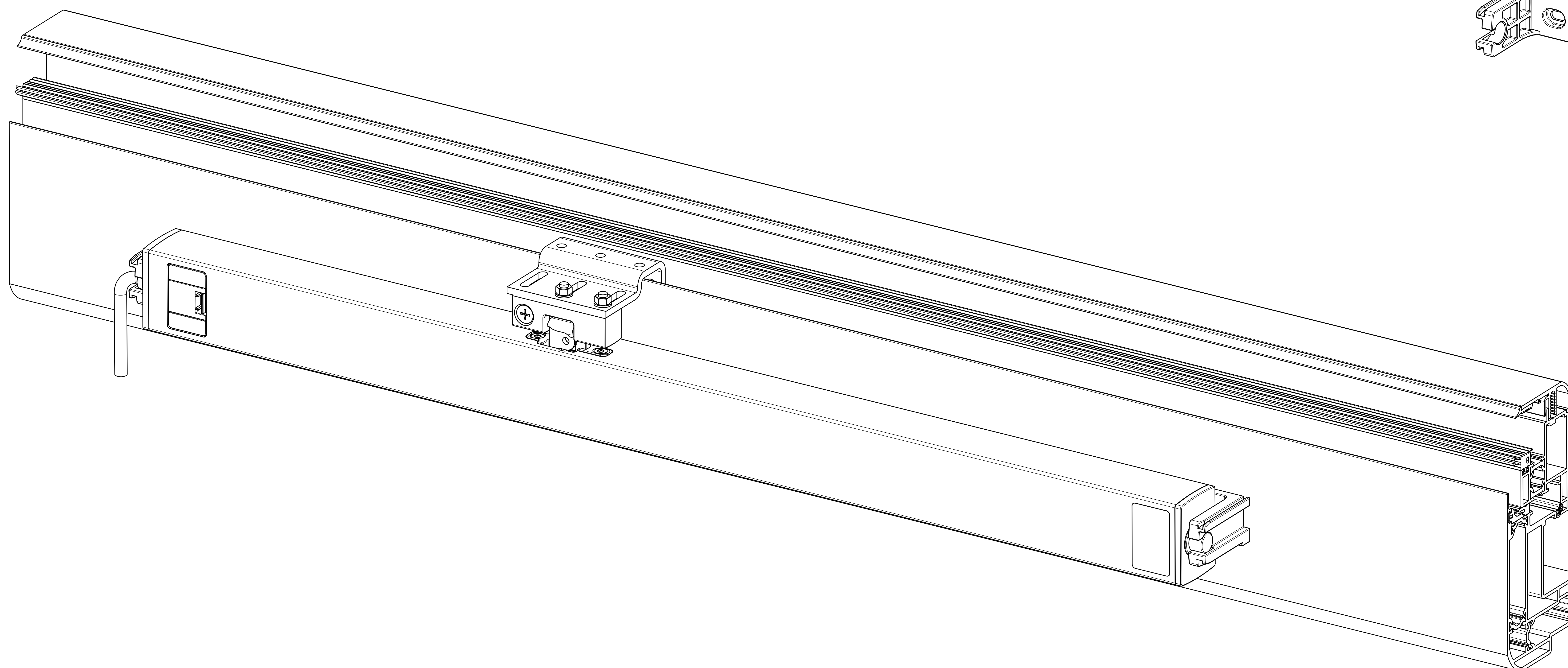
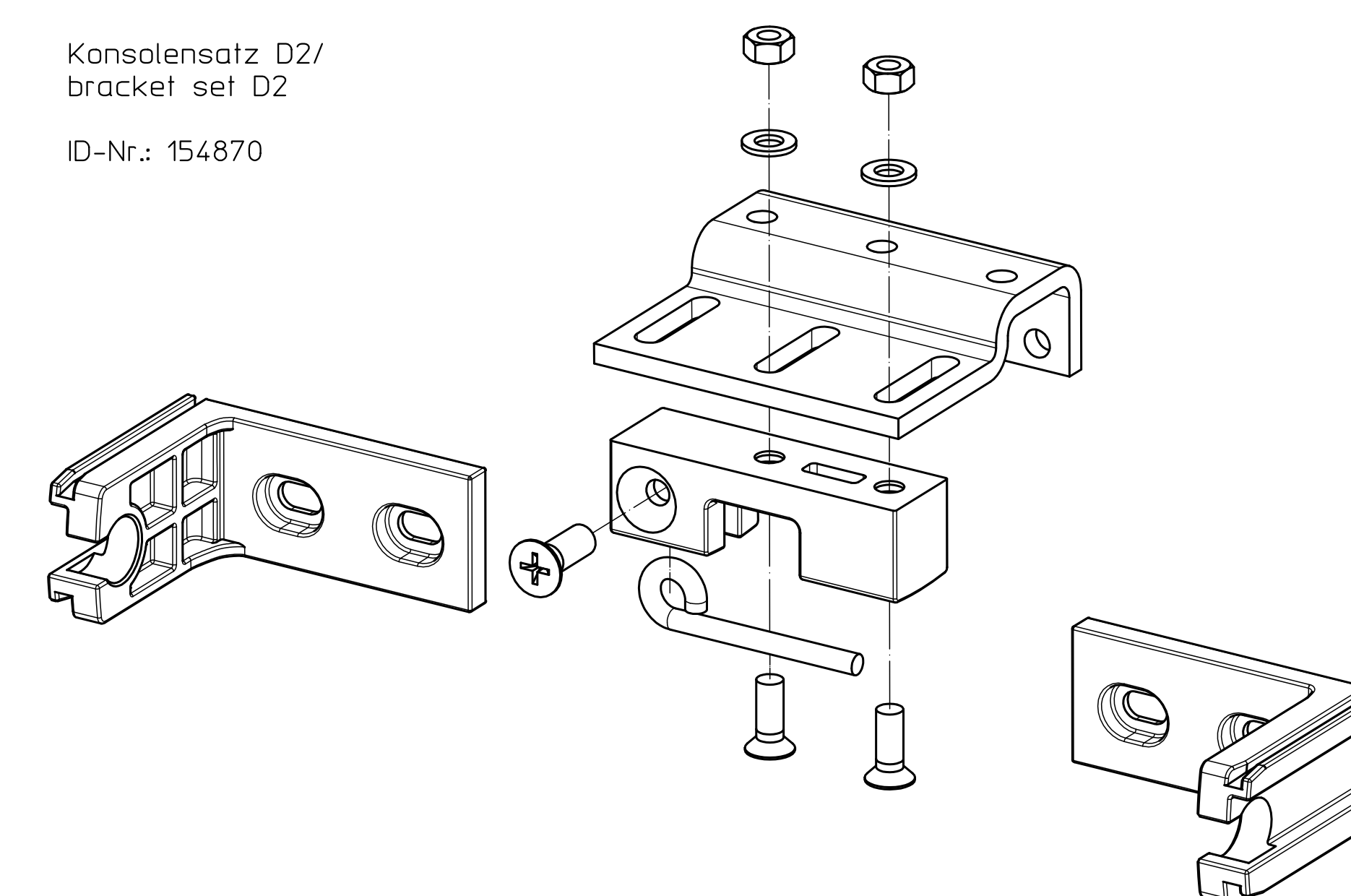


Nr.	Name
1	GEZE Powerchain
2	Antrieshalter A / Drive holder A
3	Kettenblock B / Chain bracket B
4	Montagewinkel C / Attachment bracket C

Konsolensatz D2 /
bracket set D2

ID-Nr.: 154870



GEZE Gepezl	Bestimmung / designation	Powerchain Dachfenster
20. Rev. 01.43		Herold Serie 180 85
3226 Leistung		
vertraulich / confidential		
Stand / date	Rev. / ver.	Blatt / von
07/05/15	155	1 / 1
gear / checked	checked	
Erstellt von / created by		Skizze / language
		D
Erstellt durch / created with		Dachzug-Nr. / document no.
		45166-1-0115

ENPS - Erstmusterprüfbericht / First sample test report

This drawing represents the design of the product as shown. It is not to be used for manufacturing. The manufacturer is responsible for the final design and the final drawing. The manufacturer is responsible for the final design and the final drawing. The manufacturer is responsible for the final design and the final drawing.