

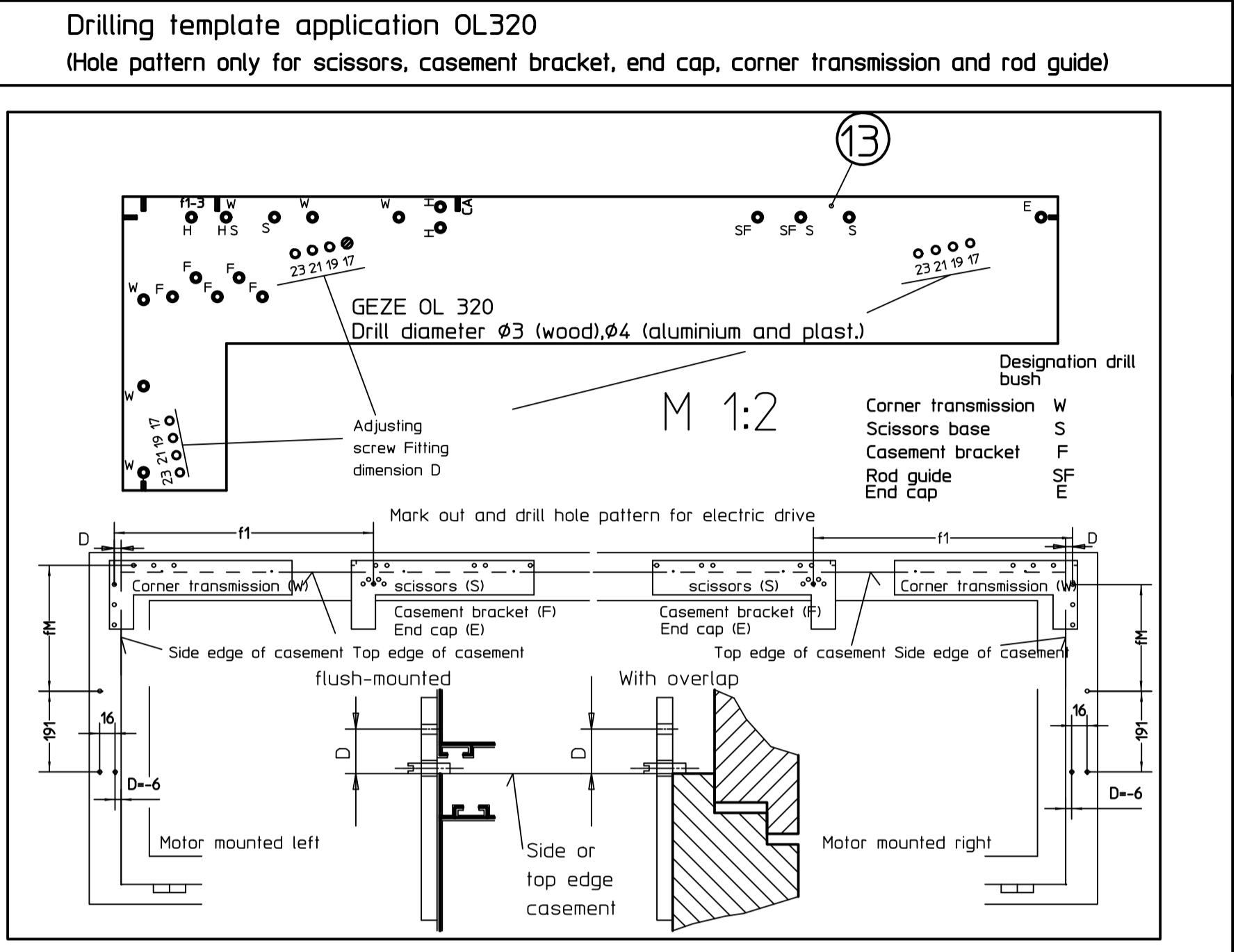
With a full opening width of 320 mm, the scissors is clamped to the rod in the open position with an Allen wrench SW4. If the opening width is limited, the motor stroke and dimension "F" must be matched.

| | | |
|---------------|-------|-------|
| Opening width | 280mm | 220mm |
| Motor stroke | 42mm | 54mm |
| Dimension F | 98mm | 86mm |

Further installation drawings for GEZE OL 320 with hand lever or gear Fz100, Fz101 40424-EP-001 for pitched windows with hand lever or gear 40424-EP-006 with additional locking 40424-EP-008 with electric drive E212 Horizontal mounting 40424-EP-030

| Mounting elements | | |
|-------------------|---|---------|
| Window type | Fixing screws | Drill Ø |
| Wood | Countersunk wood screws 5x35 DIN97 or DIN7997 | 3mm |
| Aluminium | Countersunk self-tapping screws 4.8x22 DIN7972 or DIN7982 L-screw must go through min. 2mm profile walls. | 4mm |
| synthetic | Countersunk self-tapping screws 4.8x22 DIN7972 or DIN7982 L-screw must pass through min. 2 profile walls. | 4mm |

Fixing screws are not included in the delivery.

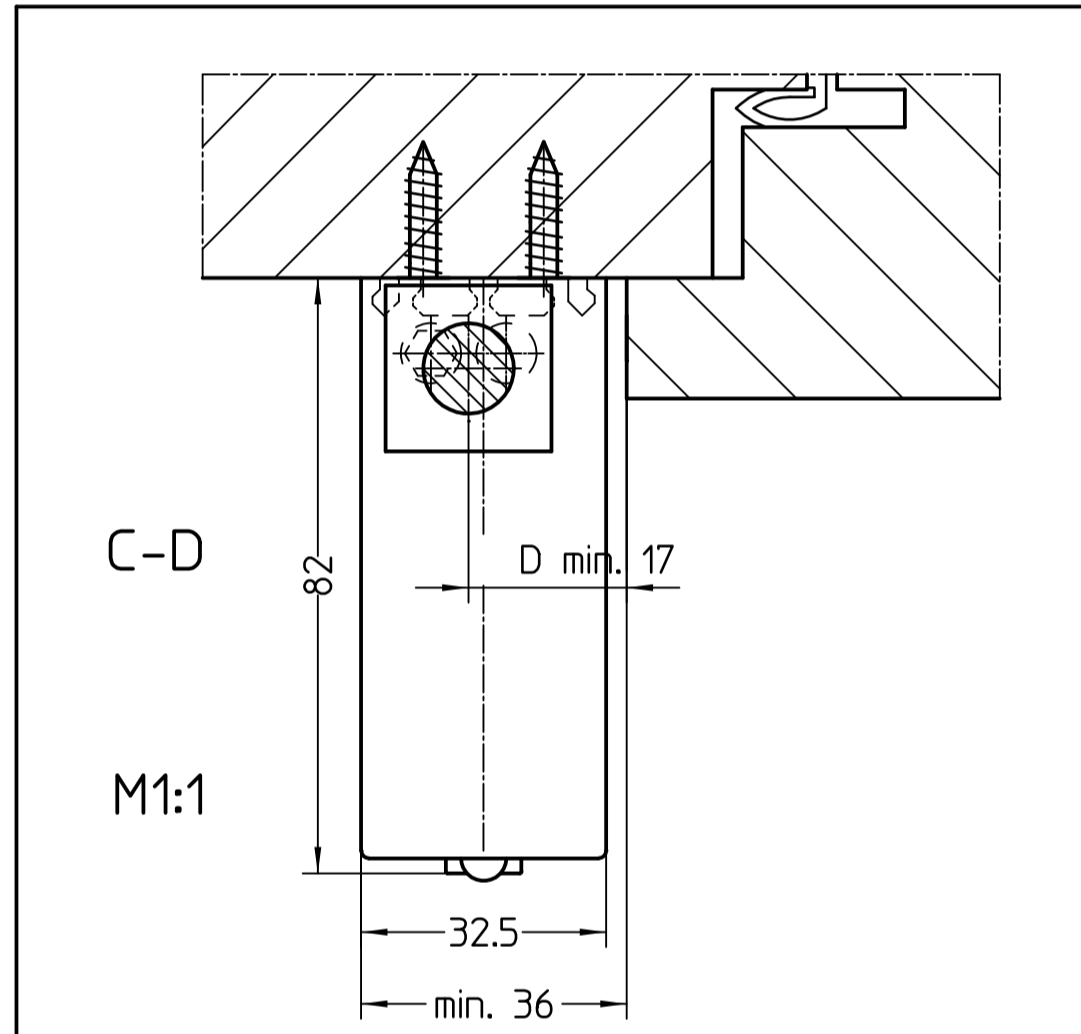


Stroke adjustment screw (320mm), turn screw in direction **, so that the motor stroke is correctly adjusted to 70mm.

Connecting rod retracted - scissors in open position

Ø11 for concealed line-feed

On-site power supply circuit 5x1.5 mm² with GN/YE

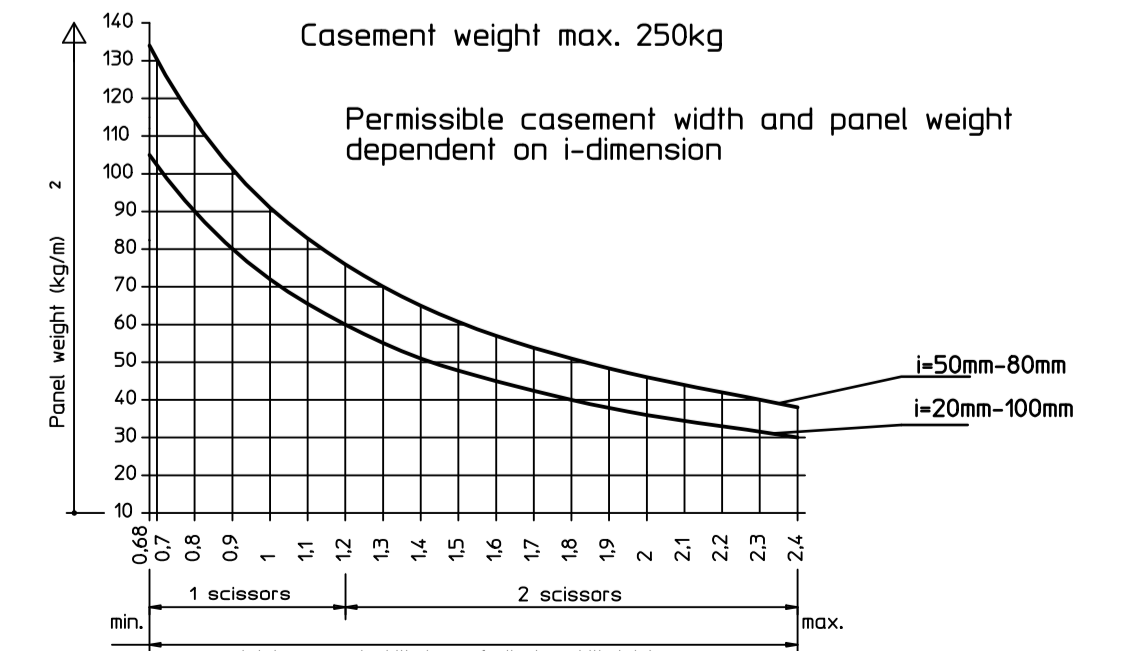


Area of application electric drive E212 with OL320 Vertical installation

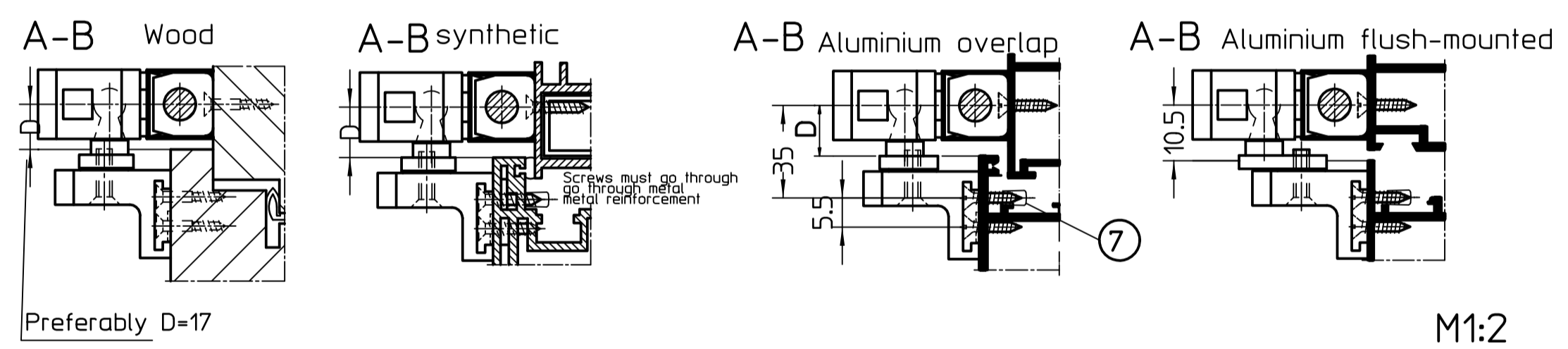
The motor can be fitted on the right or left side. The hole pattern to be used is mirror-inverted. Only for vertically installed windows. Electric drive is only suitable for dry rooms. Minimum space requirement between jamb and electric drive (cable side) = 50mm. a = Casement width min. 680mm. b = Casement height min. 530mm (if no jamb below b min. = 400mm). X = Space requirement laterally min. 36 for D=17. Y = Clearance top = D+13mm (see table). D = Outer edge of casement to centre of link arm (see table).

| Casement height b | D-dimension top | Clearance Y top |
|-------------------|-----------------|-----------------|
| 400 | 23mm | min. 36mm |
| 500 | 21mm/23mm | D+13mm |
| 600 | 19/21/23mm | D+13mm |
| 800 | 17/19/21/23mm | D+13mm |

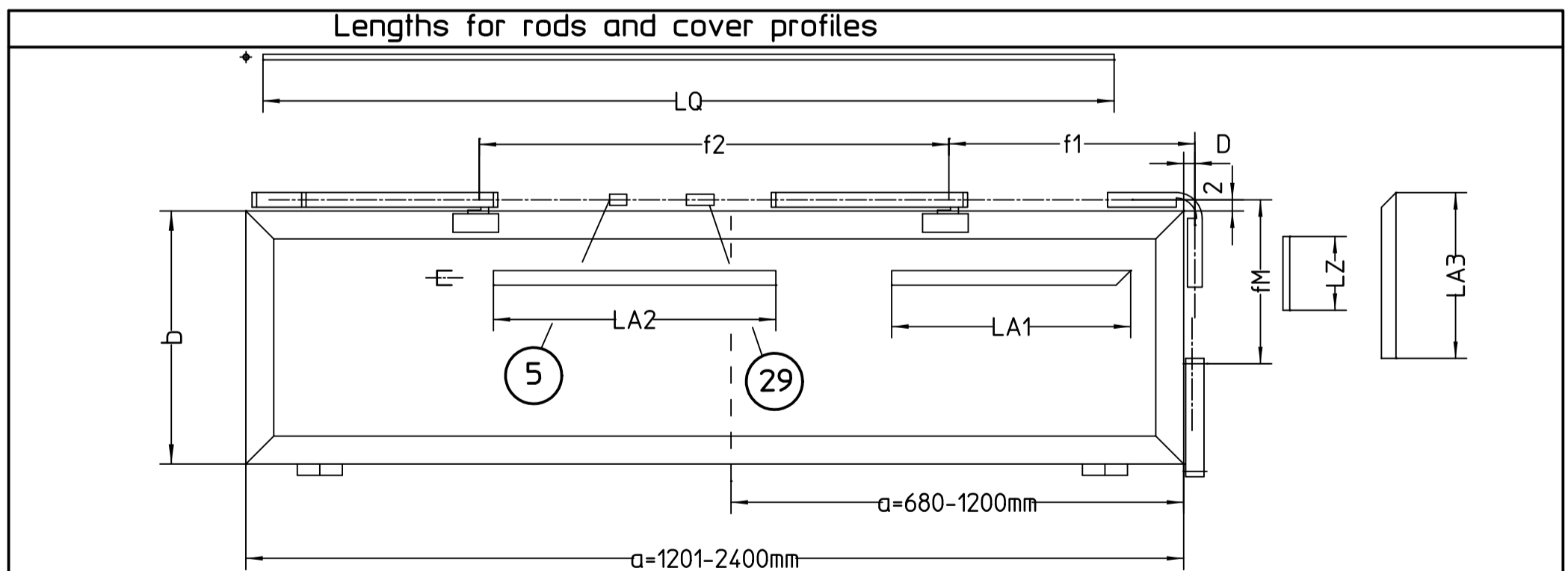
When using additional locking, D must be fitted 19mm at the side. Panel weight (see diagram). i = Distance dimension casement centre of gravity to the pivot point 20 to 100mm. permissible casement overlap height = 0-25mm.



Total casement width (sum of all casement widths) in m provided that the permissible total casement width is not exceeded, up to 2 scissors may be mounted



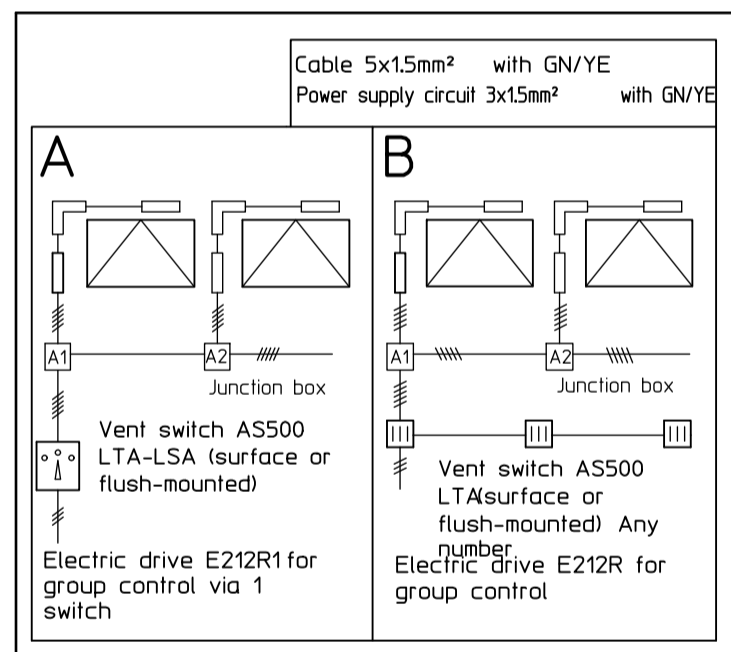
Select fitting dimension D so that the holes do not meet a web, observe the minimum casements heights.



| Casement width a | Fitting dimensions | | Rod length | | Cover profile length | | | Number of scissors |
|------------------|--------------------|---------|------------|----------|----------------------|----------|--------|--------------------|
| | f1 | f2 | L0 | LZ | LA1 | LA2 | LA3 | |
| 680 - 980mm | a/2-D-145mm | -- | f1+355mm | -- | -- | -- | -- | 1 |
| 981 - 1200mm | a/2+D | -- | f1+355mm | fM-161mm | f1-13mm | f2-420mm | fM-3mm | 2 |
| 1201 - 1600mm | a/4+D-105 | a/2-85 | f1+355mm | -- | -- | -- | -- | -- |
| 1601 - 2000mm | a/4+D+95 | a/2-190 | -- | -- | -- | -- | -- | -- |
| 2001 - 2400mm | a/4+D-10 | a/2+20 | -- | -- | -- | -- | -- | -- |

Abbreviation Explanation

| | |
|--------|--|
| LA | Length of cover profile |
| LZ | Length of drive rod L0 Length of cross rod |
| f1, f2 | Fitting dimension for scissors |
| f w | Fitting dimension for electric drive |



Technical data

| | |
|--------------------|---------------------------|
| Opening width | = 320 mm |
| Opening time | approx. 43 sec. |
| Voltage | = 230V AC |
| Fitting stroke | = 70 mm |
| Motor stroke | = 42 - 70 mm |
| Delivery condition | 54 mm |
| f stroke | must be adjusted to 70 mm |

Wiring diagram: for group control 45109-9-0950 E212R for group control 45109-9-0959 E212R1

- #### Important information:
- Installation drawing, wiring diagram, installation instructions, maintenance and operating instructions as well as the guidelines for power-operated windows, doors and gates (BR 220) must be observed.
 - The specified area of application must be observed.
 - The prescribed fitting dimensions must be observed.
 - The prescribed mounting elements must be used.
 - In order to avoid injuries, protective caps must be turned on projecting threads of the fixing screws.
 - Fittings are drawn in the closed position, but assembly is carried out in the open position.
 - All fixing screws must be tightened in the open position with an Allen key SW4 with 8Nm.
 - After assembly and before commissioning, the function of lightening all fixing screws must be checked, and all fixing screws must be tightened again.
 - The joints and sliding points must be greased with an acid-free grease in accordance with DIN 5925.
 - The free accessibility of the fitting parts for greasing and maintenance must be ensured in accordance with DIN 18351.
 - If rods and cover profiles from other manufacturers are used, GEZE assumes no warranty and no liability for the resulting damage and consequential damage.
 - From a free rod length of 800mm, rod guides must be used.
 - The use of a suitable safety catch is prescribed for bottom-hung windows (see GEZE gripping and cleaning scissors).
 - The drive is delivered in open position.

| Pos. | Name | Ident no. for version | | | Screw in |
|-------|---|----------------------------|----------------------------|------------------|----------|
| | | EV 1 | white 9016 | RAL | |
| 20 1 | Electric drive E212R1 for group control Content: E212R1/230V AC Connecting rod | 020835 | 020839 | 020838 | 3 |
| 20 26 | (Switch requirement see drawing A) Vent switch AS500 LTA-LSA (flush mounting) | 118476 | | | |
| 20 26 | Electric drive E212R for group control Content: E212R/230V AC Connecting rod | 005428 | 015435 | 006683 | 3 |
| 20 26 | (Switch requirement see drawing B) Vent switch AS500 LTA (flush-mounted) | 118474 | | | |
| 27 6 | Rod coupling E212 Corner transmission | 008800 | 058648 | | 6 |
| 1 1 | Scissors OL 320 Content: Scissors OL 320 Scissors base Casement bracket, sliding Screw plate short Rod guide Protective caps | 128211 | 128212 | 128213 | 4 |
| 9 1 | Additional package end cover Content: End cap Profile for end cover | 058633 | 018254 | 013816 | 1 |
| 10 1 | Rod Ø12 - 2000 mm - 3000 mm - 6000 mm | | 053198 053199 054116 | | |
| 5 29 | Cover profile - 2000 mm* - 3000 mm* - 6000 mm* * Cover profile mitre cut on both sides | 058771 058774 058630 | 018293 018294 018251 | 014258 014259 | |
| 5 29 | Accessories (must be ordered separately) Rod guide Rod coupling | | 058653 059729 | | 2 2 |
| 13 | Drilling template for wood Drilling template for plastic and aluminium | | 137150 137152 | | |

GEZE GmbH
P.O. Box 19 43
71226 Leutberg
Germany

03 10.02.20 u/270 2642

Fig. Prod./Rel. Prod. 10.08.20 TBH

GEZE OL320 with actuator E 212 vertical for wood, synthetic and aluminium windows

Scale: 1:1

40424-EP-029