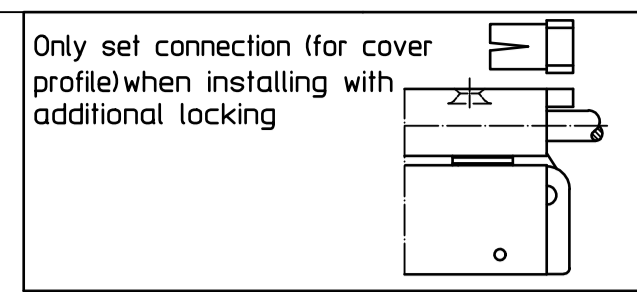
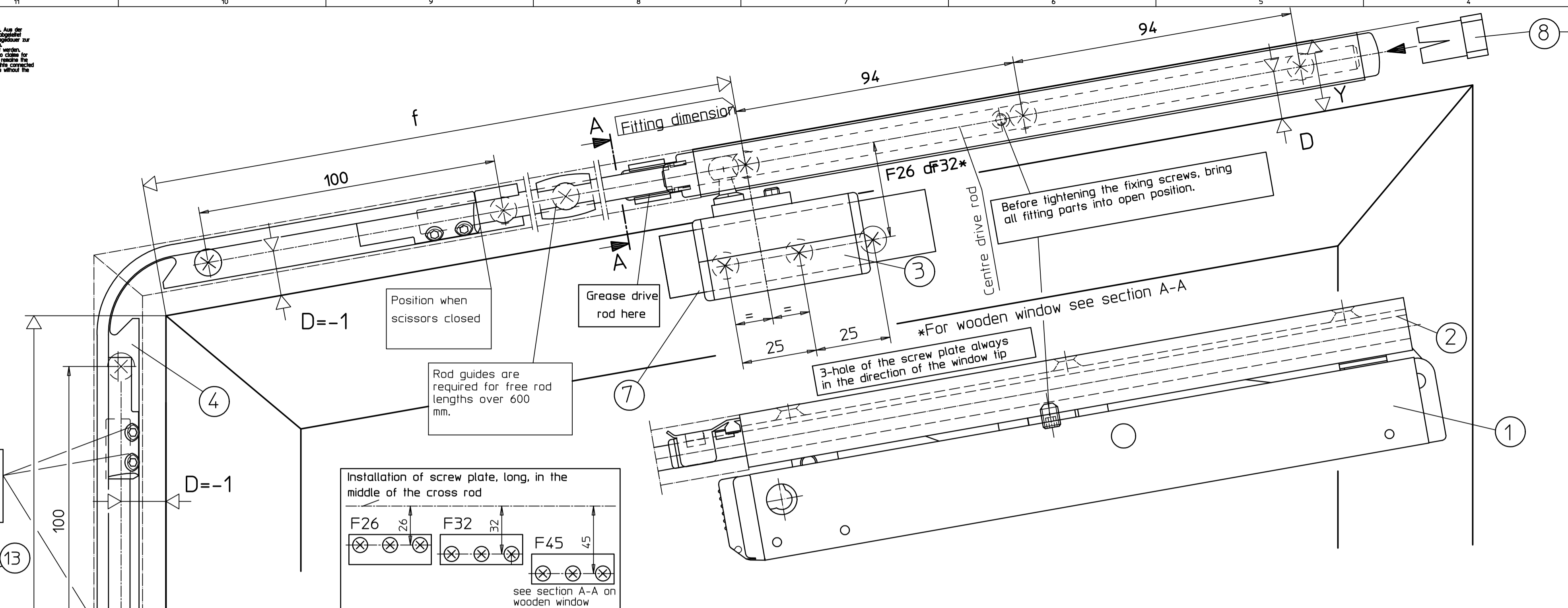
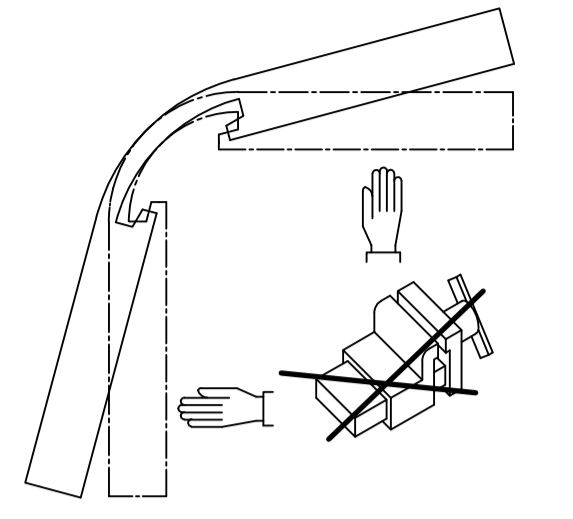


Bitte beachten: Die Montageanleitung ist ein Dokument der GEZE Gruppe. Sie ist ein geistiges Eigentum der GEZE Gruppe. Die Montageanleitung ist ein Dokument der GEZE Gruppe. Sie ist ein geistiges Eigentum der GEZE Gruppe. Die Montageanleitung ist ein Dokument der GEZE Gruppe. Sie ist ein geistiges Eigentum der GEZE Gruppe.



Technical data	
- Centre opening width approx. 170mm	approx. 170mm
- Fitting stroke 54mm	

Mounting elements		
Window type	Fixing screws	Drill Ø
Wood	Countersunk wood screws 4x35 DIN 97 or DIN 7997	2.5mm
Aluminium	Countersunk self-tapping screws 4.2xL DIN7972 or DIN7982 Screw must go through min.18mm profile wall	3.5mm
synthetic	Countersunk self-tapping screws 4.2xL DIN7972 or DIN7982 Screw must go through min.2 profile walls	3.5mm

Fixing screws are not included in the delivery.

Further installation drawings for GEZE OL90N :

OL90N with hand lever	40444-EP-001
Pivoting hand lever - Assembly instructions	40444-9-952
Electric drive E212 horizontal	40444-EP-003
Electric drive E212 vertical	40444-EP-004
Additional locking OL90N	40444-EP-005
OL90N for pitched windows with gear Fz91, Fz92	40444-EP-007
OL90N with gear Fz91 or Fz90L/R	40444-EP-008
Crank rods for gears	40444-EP-011

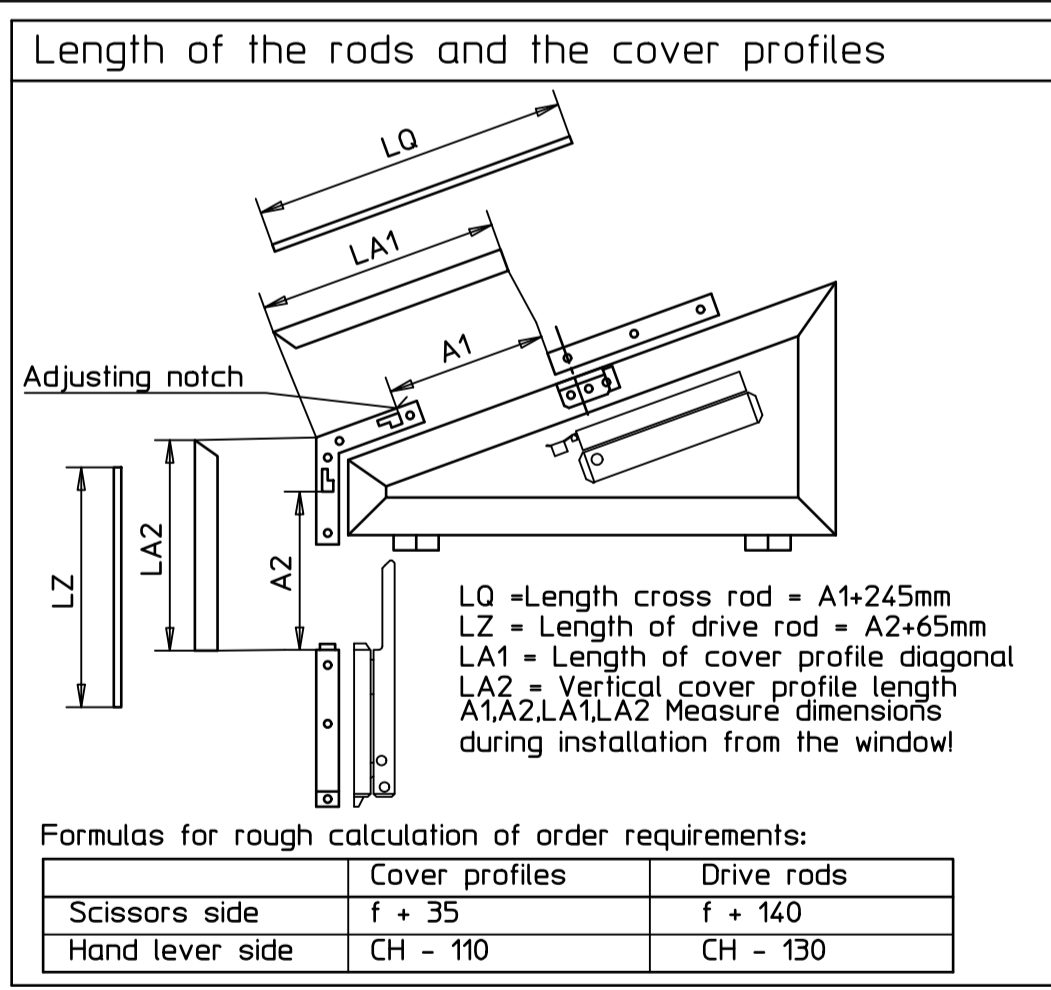
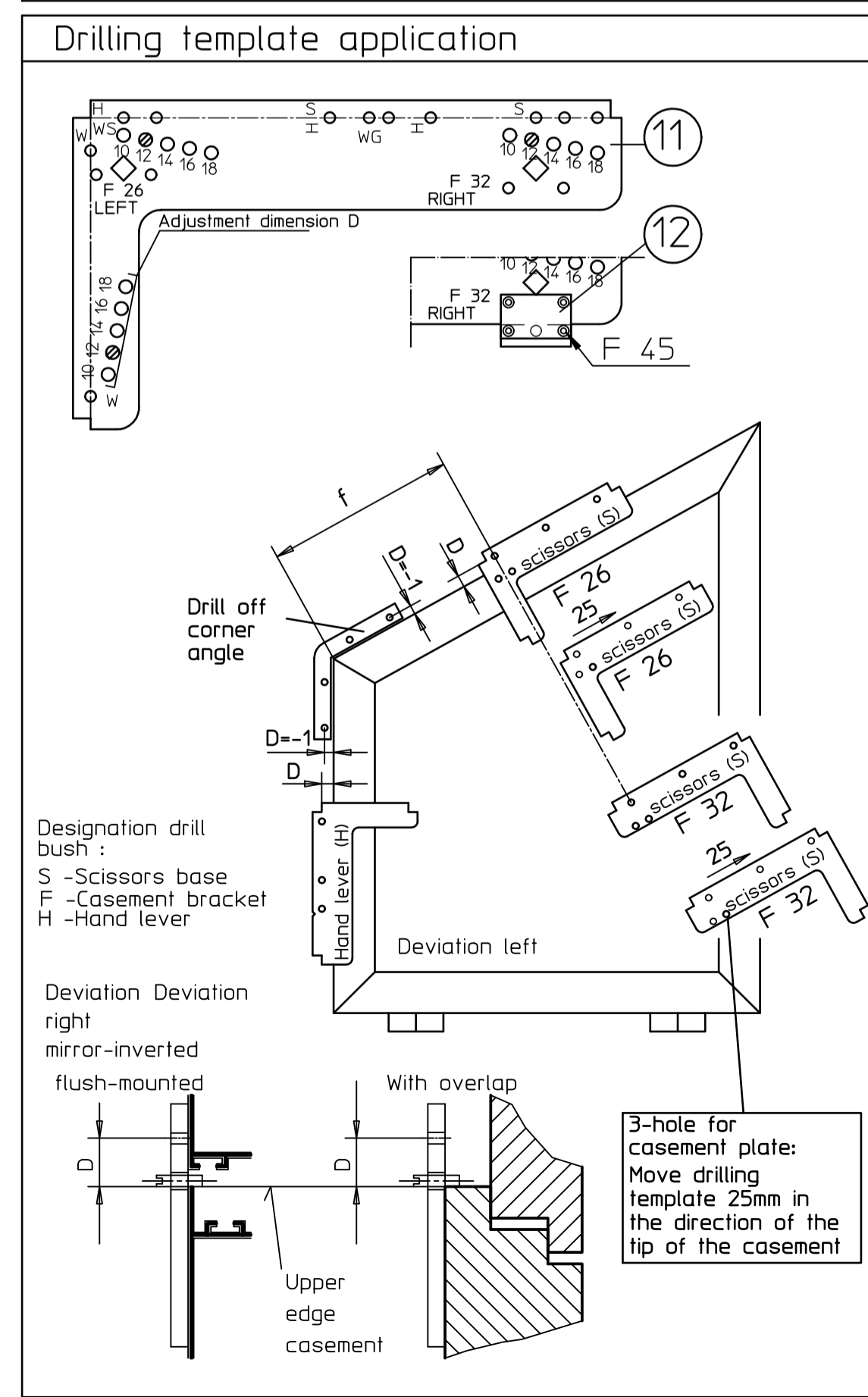
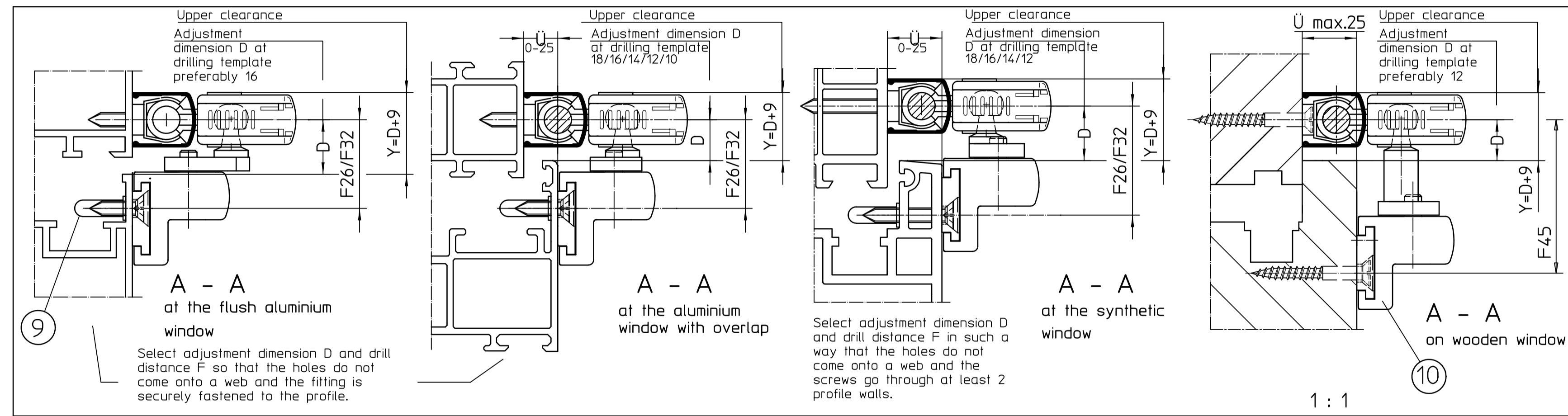
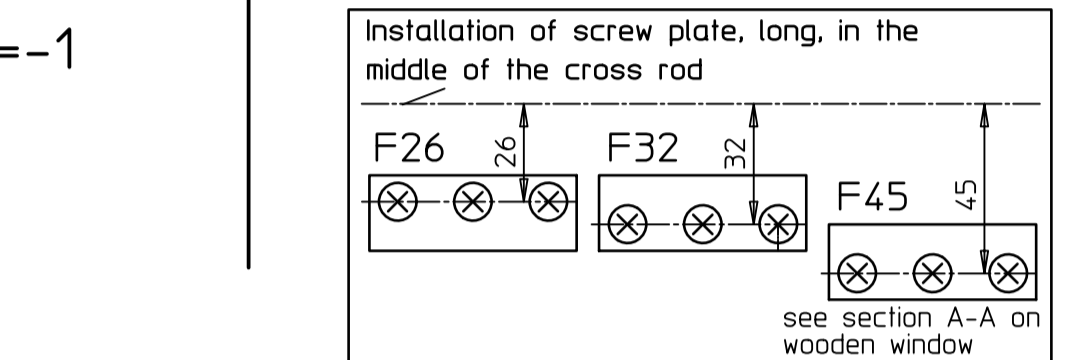
Ordering requirement* for pitched windows OL90N with hand lever		Fitting parts (See B0M)	
Aluminium/synthetic window	A	C	
Wooden window	B+B1	C	

\* Cover profile and rod must be ordered separately

Before tightening the fixing screws, bring all fitting parts into open position. The lower edge of the clamping part of the corner deflection is flush with the notch.

Rod guides are required for free rod lengths over 600 mm.

Rod guides are required for free rod lengths over 600 mm.



**Important information:**

- Installation drawing, installation instructions, maintenance and operating instructions must be observed.
- The specified area of application must be observed.
- The prescribed fitting dimensions must be observed.
- The prescribed mounting elements must be used.
- In order to avoid injuries, protective caps must be turned on projecting threads of the fixing screws.
- Fittings are drawn in the closed position, but assembly is carried out in the open position.
- All fixing screws must be tightened in the open position with an Allen key SW3 with 5Nm.
- After assembly and before commissioning, the function of tightening all fixing screws must be checked, and all fixing screws must be tightened again.
- The joints and sliding points must be greased with an acid-free grease in accordance with DIN 51825.
- The free accessibility of the fitting parts for greasing and maintenance must be ensured in accordance with DIN 18357.
- If rods and cover profiles from other manufacturers are used, GEZE assumes no warranty and no liability for the resulting damage and consequential damage.
- From a free rod length of 600mm, rod guides must be used.
- The use of a suitable safety catch is prescribed for bottom-hung windows (see GEZE gripping and cleaning scissors).
- Only one scissors with sliding casement bracket may be fitted.
- Additional locking devices are recommended for window widths over 1000 mm.
- Corner transmission may only be bent by hand, repeated bending back and forth is to be avoided.

Length of the rods and the cover profiles

Adjusting notch

LA0 = Length cross rod = A1+245mm  
LA1 = Length of drive rod = A2+65mm  
LA2 = Vertical cover profile length  
A1, A2, LA1, LA2 Measure dimensions during installation from the window!

Bracket β	b min.	a min.	a1 min.
up to 30°	400	420	700
30 - 40°	550	360	650
40 - 50°	650	320	550
50 - 60°	750	270	450

Special case  
Bracket β min.60° 600 420 -

Area of application

only for vertically installed windows  
only 1 scissors may be fitted per window  
P = length of oblique leg  
αβ = Bending angle of the corner deflection, angle of inclination (see table)

	α = up to 60° (Normal case)	β = min.60° (Special case)
Casement weight	max.80kg	max.40kg
Panel weight	max.30kg/m² 420 to 2000mm	max.25kg/m² 420 to 1000mm

a = Casement width (see table), ≤ 2000mm, from a over 1000mm, additional lockings are recommended  
b = Casement height (see table)  
i = Distance of the casement centre of gravity to the hinge pivot point = 10 to 60mm  
D = Overlap height 0-25mm  
X = Outer edge of casement to centre of link arm (see table)  
D = Side clearance (see table)  
Y = Upper clearance (see table)

	D-dimension top	Clearance Y top
with additional locking	10 to 18mm	D + 9mm
	16 mm	D + 9mm

	D-dimension side	Side clearance X
Deviation	min. 10mm	D + 10mm

Pos.	Name	Ident no. for version:					PC.
		EV1	white RAL9016	dark bronze	black	acc. to RAL	
A	Scissors OL90N with sliding casement bracket	30596	30600	30597	74511	30599	7
Content:							
1	Flat forming scissors OL90N						
2	Scissors base						
3	Casement bracket						
6	Rod guide						
7	Screw plate long						
8	Connection						
9	Protective cap						
B	Scissors OL90N without casement bracket	71203	71207	71204	99477	71206	4
Content:							
1	Pos.: 1, 2, 6, 8.						
B1	Sliding casement bracket for wooden windows Euro-groove	71198	71202	71199	99476	71201	3
10	Casement bracket for wooden window						
7	Screw plate long						
C	Hand lever with bendable corner transmission	76911	76915	76912	80227	76916	7
Content:							
4	Bendable corner transmission						
5	Hand lever OL90 N						
6	Rod guide						
Rods and cover profiles							
	Cover profile L=2m *	30401	30405	30402	74537	30404	
	Cover profile L=3m *	30396	30400	30397	74539	30399	
	Cover profile L=6m	27558	27561	27559	74540	28342	
	Rod Ø8 galvanised L=2m				16555		
	Rod Ø8 galvanised L=3m				16591		
	Rod Ø8 galvanised L=6m				16592		
Accessories (Must be ordered separately)							
11	Drilling template OL90N/OL95	For wood 54799 yellow		for plastic/metal 54800 blue			
12	Additional drilling template OL90N for wooden windows F=45						28141
13	Rod coupling OL90 N						43546
6	Rod guide						10878

\* Cover profile mitre cut on both sides

GEZE GmbH  
P.O. Box 19 63  
7120 Leontberg  
Germany

OL 90 N for pitched windows  
with hand lever

Material-Nr. 40444-EP-006

Fig. Prod./Rel. Prod. 10.08.20

Scale 1:1

Blatt / von sheet / of 2 / 2

Material-Nr. 40444-EP-006