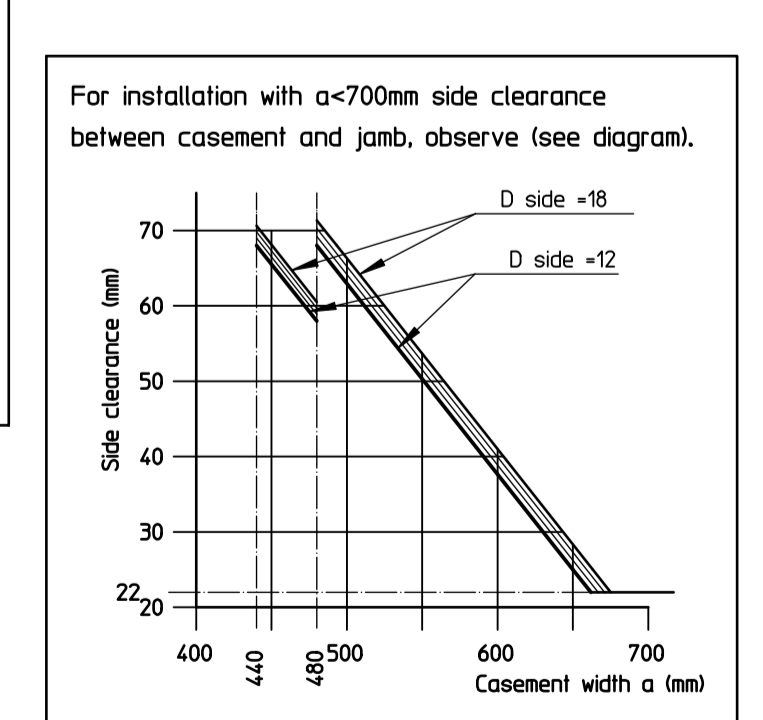


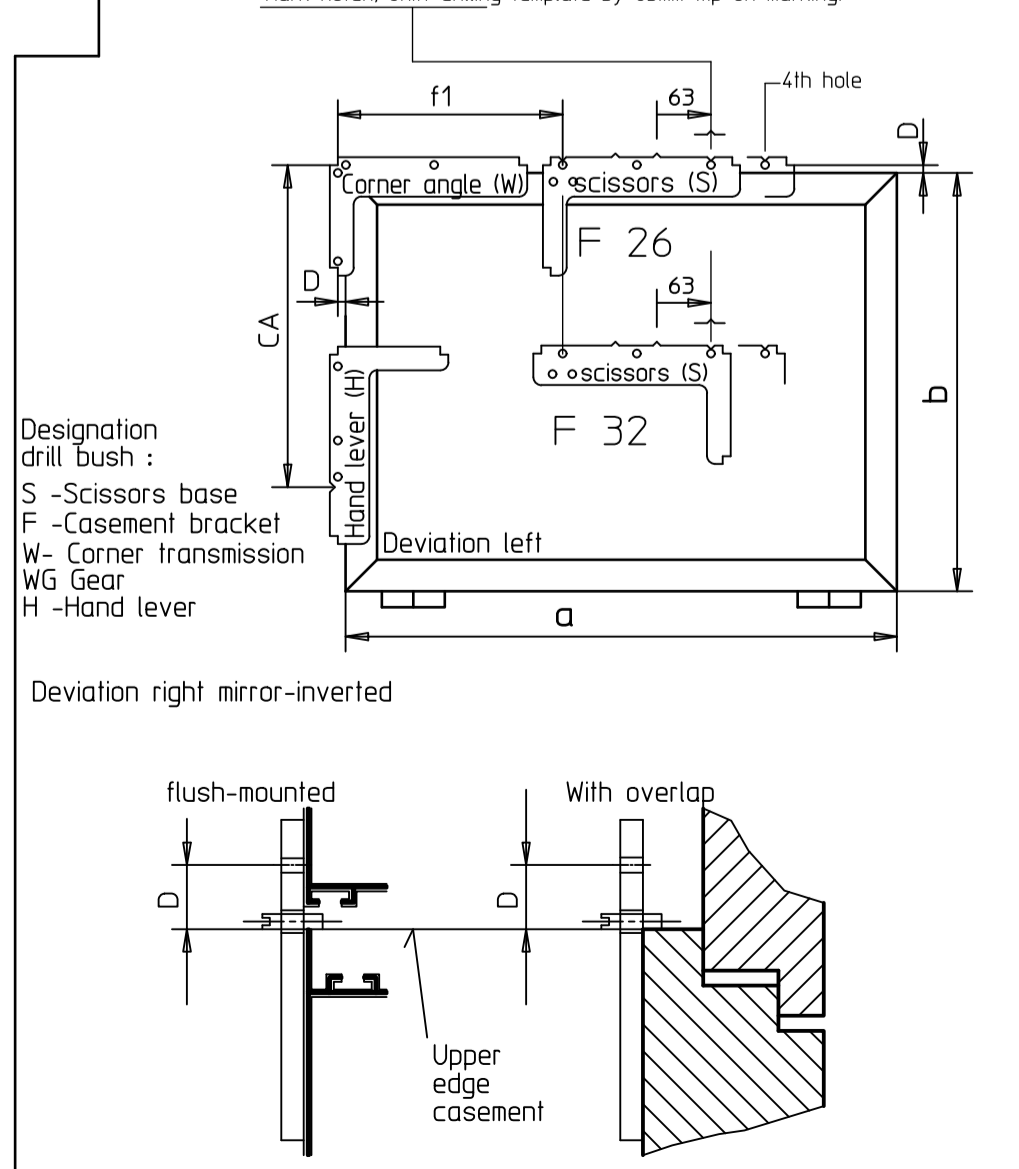
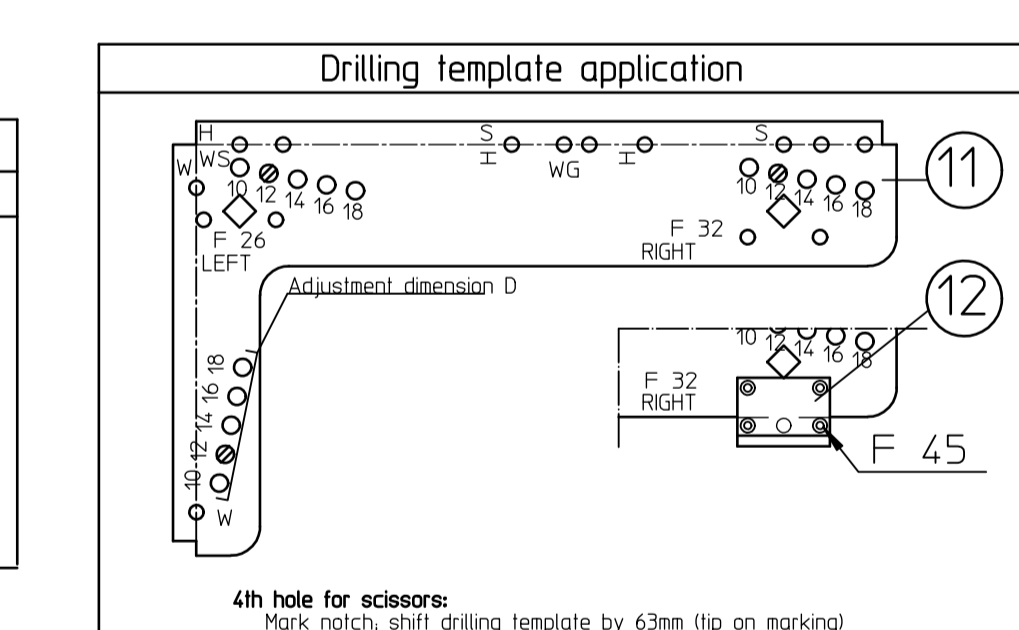
Mounting elements

Window type	Fixing screws	Drill Ø
Wood	Countersunk wood screws 4x35 DIN 97 or DIN 7997	2.5mm
Aluminium	Countersunk self-lapping screws 4.2xL DIN 972 or DIN 982 Screw must go through min.18mm profile wall	3.5mm
synthetic	Countersunk self-lapping screws 4.2xL DIN 972 or DIN 982 Screw must go through min.2 profile walls	3.5mm

Fixing screws are not included in the delivery.



Further installation drawings for OL95 with hand lever:
 Additional sheet: Installation of swivelling hand lever 40444-EP-02
 OL95 with additional locking 40445-EP-10
 OL95 for pitched windows with bendable corner transmission 40445-EP-08



Observe area of application OL 95! See table for maximum permissible casement widths depending on panel weight.

f-dimensions with casement width a	Lengths of drive rods (LQ,LZ) and cover profiles (LA) with/without cap
a=440 to 480mm	1 scissors LA1=f1-9 LA1=f1-25
f1=a/2+D-50	
a=480 to 1200mm (see table for restriction)	2 scissors LA1=f1-9 LA1=f1-25 LA2=CA-152 LA2=CA-106 LO=f1+173
f1=a/2+D-30 (from a=940 also 2 scissors possible)	
a=940 to 2400mm (see table for restrictions)	3 scissors LA1=f1-9 LA1=f1-25 LA3=f2-288 LA4=f3-288 LO=f1+f2+173
f1= min.180 f2=a/2+32 (from a=1530 also 3 scissors possible)	
For 1 casement	3 SCISSORS (For restrictions refer to table)
a=1530 to 3000mm f1=a/4+D-120 f2=a/3-7 f3=a/3-7	
In the case of several casements	
Total casement width a= max.2700mm	
f1= min.180 f2= min.505 f3= min.505	

Important information:

- Installation drawing, installation instructions, maintenance and operating instructions must be observed.
- The specified area of application must be observed.
- The prescribed fitting dimensions must be observed.
- The prescribed mounting elements must be used.
- In order to avoid injuries, protective caps must be turned on projecting threads of the fixing screws.
- Fittings are drawn in the closed position, but assembly is carried out in the open position.
- All fixing screws must be tightened in the open position with an Allen key SW3 with 5Nm.
- After assembly and before commissioning, the function of tightening all fixing screws must be checked, and all fixing screws must be tightened again.
- The joints and sliding points must be greased with an acid-free grease in accordance with DIN 51825.
- The free accessibility of the fitting parts for greasing and maintenance must be ensured in accordance with DIN 18357.
- If rods and cover profiles from other manufacturers are used, GEZE assumes no warranty and no liability for the resulting damage and consequential damage.
- From a free rod length of 600mm, rod guides must be used.
- The use of a suitable safety catch is prescribed for bottom-hung windows (see GEZE gripping and cleaning scissors).
- For assembly, observe dimension 'D' from the end of the scissors bearing to the reveal Q= min. 230 mm

Area of application

The opening width of the OL 95 scissors is approx. 220mm, the fitting stroke is 54mm.
 The OL 95 can be used for vertically installed rectangular windows with bottom order top-hung casements inward opening in dry interiors.
 All other applications must be requested from the factory.

Panel weight	Max. permissible casement width 1 casements	Max. permissible total casement width 2 casements	Max. permissible total casement width 3 casements	Number of scissors
bis 20 kg/m ²	1200	-	-	1
	2400	2400	-	2
	3000	2700	2700	3 (4)
bis 25 kg/m ²	1100	-	-	1
	2200	2200	-	2
	2700	2400	2400	3 (4)
bis max.30 kg/m ²	1000	-	-	1
	2000	2000	-	2
	2200	2000	1700	3

1: e.g. with wings of different widths (x1 + x2 scissors)
 3 (4): also 4 instead of 3 scissors can be used (e.g. 2x2 scissors)

In order to ensure the necessary driving rain safety of the window according to DIN 18055 for the respective application, we recommend the installation of 2 scissors from a=1000mm or 3 scissors from a=1550 mm. Accordingly, with casement heights of b>600 mm, the casement should be moved accordingly. Provided that the range of application of the OL 95 (see table) is not exceeded, the total casement weight must not exceed 60 kg.

a = Casement width (min. 440mm) or sum of all casement widths
 b = Casement height (min. 350mm)
 i = Distance from the centre of gravity of the casement to the hinge pivot point min. 10 max. 60mm
 U = Overlap height 0-25mm
 D = Outer edge of casement to centre of link arm (see table)
 X = Side clearance = D+10mm
 Y = Upper clearance (see table)

When using the additional locking, attach with D=16mm!

Casement height D	D top	Y top
350 to 400mm	18mm	D + 9mm
401 to 450mm	16 to 18mm	D + 9mm
451 to 600	14 to 18mm	D + 9mm
from 601mm	12 to 18mm	D + 9mm

Order requirement* for

OL95 for window dimension F=26/32	Fitting parts (see BOM)	
	A	D / E+F
OL95 for wooden windows dimension F=45	B	C
	D	E+F

* Cover profile and rod must be ordered separately

Pos.	Name	Ident no. for version:					Pc.		
		EV1	dark bronze	white RAL9001	white RAL9016	black		acc. to RAL	
A	Scissors OL95	82445	82446	82447	82448	82450	82449	11	
1	Scissors OL95								
2	Scissors base								
3	Casement bracket								
4	Rod guide								
5	Screw plate								
6	Connection								
7	Protective cap								
8	Protective cap								
B	Scissors OL95 without casement bracket	84194	84195	84196	84197	84198	84199	5	
C	Casement bracket for wooden windows with Euro-groove F=45	30886	30887	30888	30890	99475	30889	2	
1	Casement bracket for wooden window								
D	Hand lever with corner transmission	30611	30612	30613	30615	77945	30614	8	
1	Corner transmission								
2	Hand lever OL90 N								
3	Rod guide								
4	Cover cap								
E	Hand lever lockable	83841	83842	83843	83844	-	85230	4	
1	Pos.: 5a, 6								
F	Corner transmission	70546							4
Rods and cover profiles									
1	Cover profile L=2m *	30401	30402	30403	30405	74537	30404		
2	Cover profile L=3m *	30396	30397	30398	30400	74539	30399		
3	Cover profile L=6m	27558	27559	27560	27561	174540			
4	Rod Ø8 galvanised L=2m	16555							
5	Rod Ø8 galvanised L=3m	16591							
6	Rod Ø8 galvanised L=6m	16592							
Accessories (Must be ordered separately)									
11	Drilling template OL90N/OL95	for wood 54799 yellow		for synthetic/metal 54800 blue					
12	Additional drilling template OL90N for wooden windows F=45	28141							
13	Rod coupling OL90 N	43546							
14	Rod guide	10878							

GEZE GmbH
 P.O. Box 19 63
 7226 Leutstorf
 Germany

vertraulich / confidential

OL 95 with hand lever

02 15.01.21 u/270 *
 01 11.02.20 u/270 2642
 00 11.02.20 u/270 2642

Fr. Prod./Rel. Prod

Zeichnungs-Nr. / document-no.
 40445-EP-02