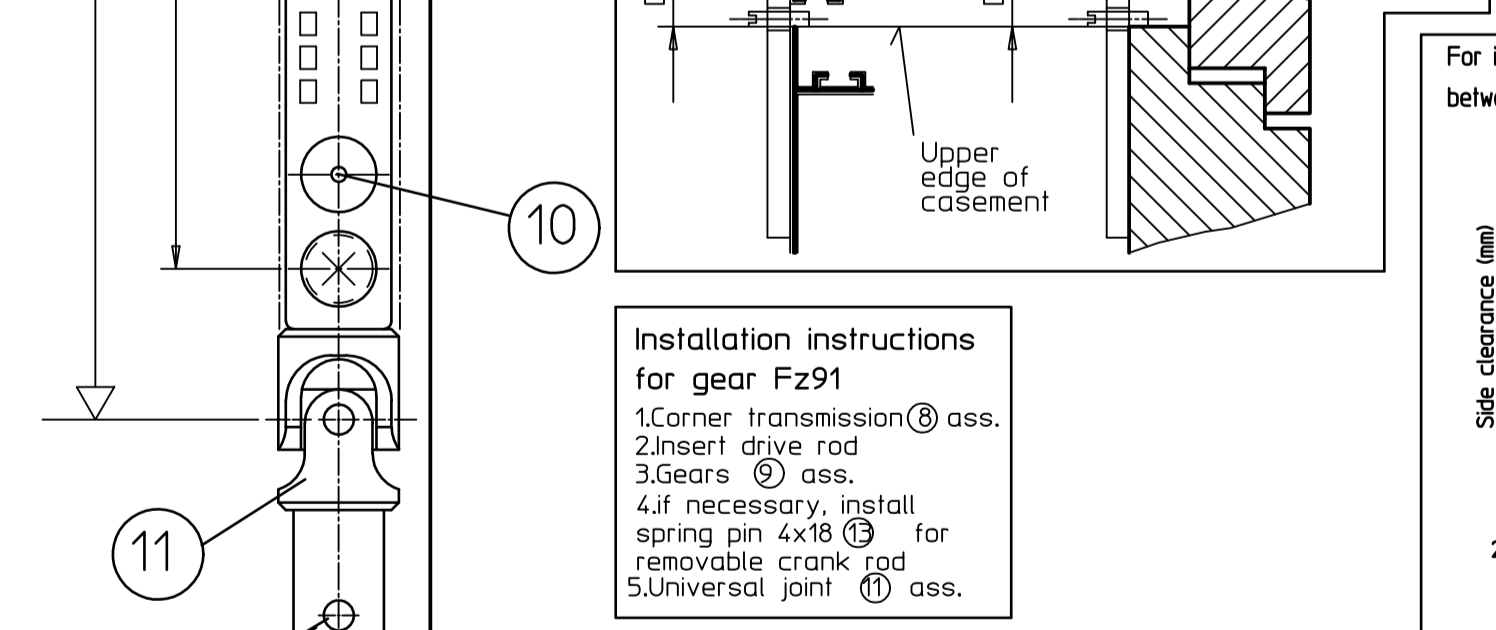
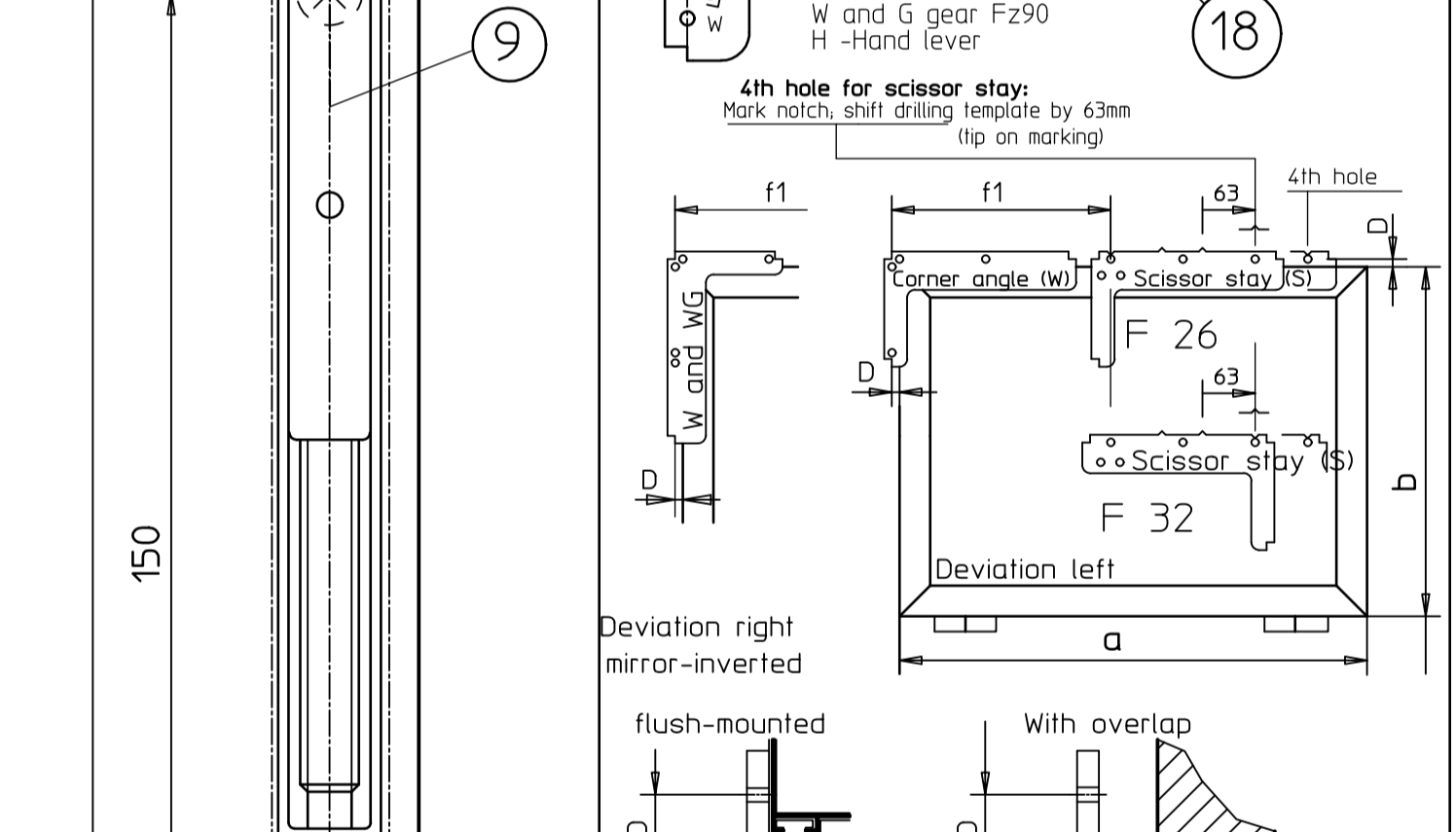
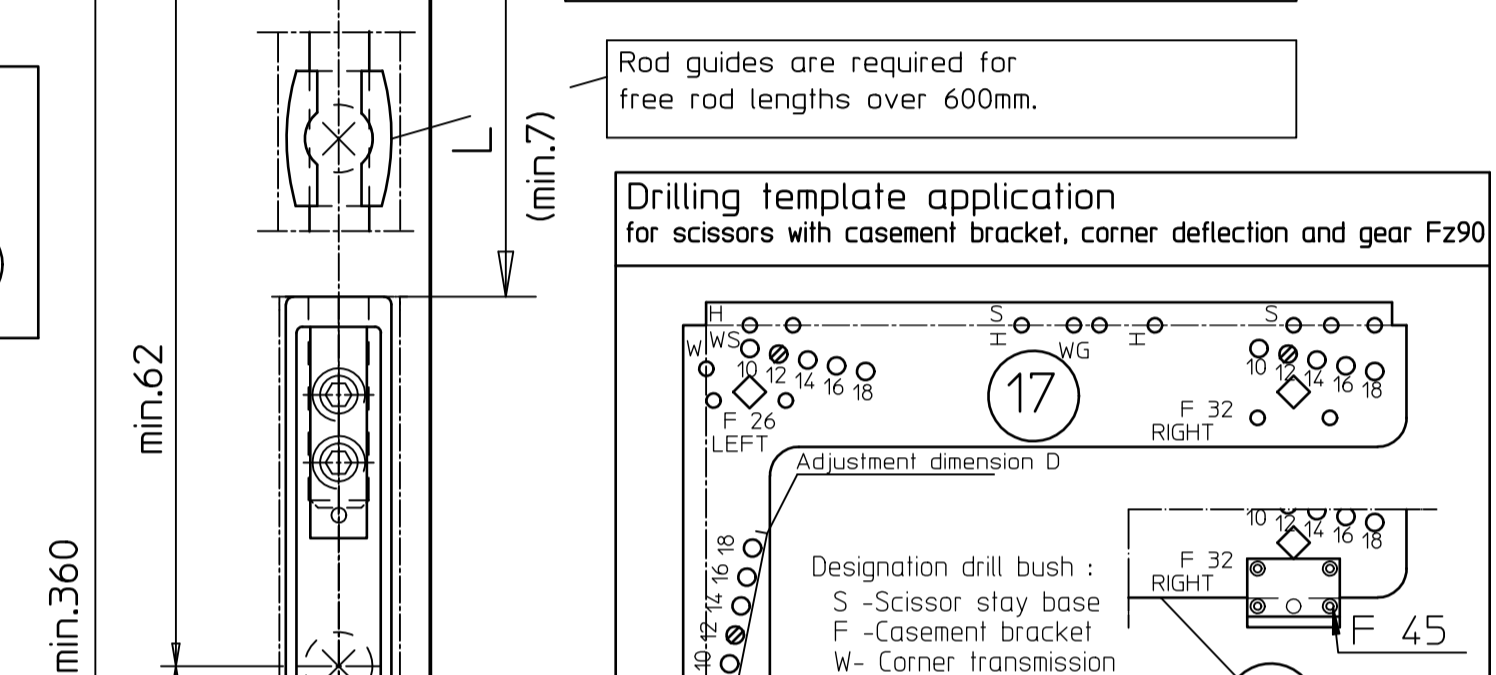
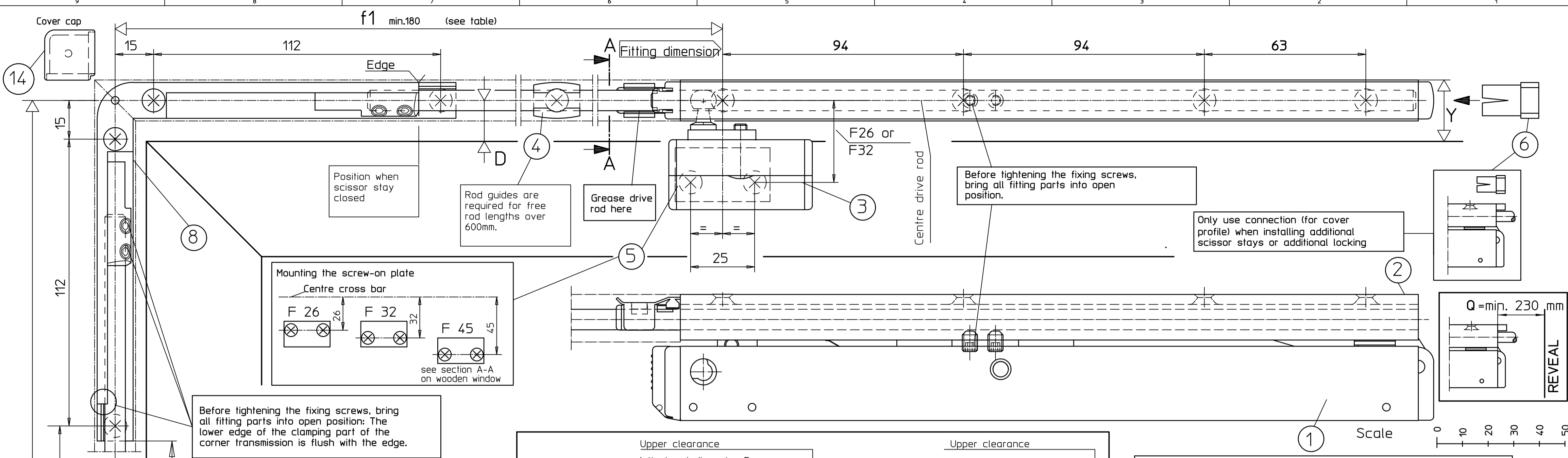


Gear Fz90L (Fz90R is mirror inverted.)

Casement width a	f-dimensions	Length of the rods (L.O.L.Z) and the cover profiles (LA)
440-480	$f1 = a/2 + D - 50$	<p>1 scissor stay</p>
480-1200	$f1 = a/2 + D - 30$	<p>2 scissor stays</p>
1200-2400	$f1 = a/3 + D - 100$ $f2 = a/2 - 10$	<p>3 scissor stays</p>
1530-3600	$f1 = a/4 + D - 120$ $f2 = a/3 - 7$ $f3 = a/3 - 7$	<p>For 1 casement</p>
In the case of several casements		
Total casement width a = max.2800	$f1 = \text{min.}180$ $f2 = \text{min.}502$ $f3 = \text{min.}502$	

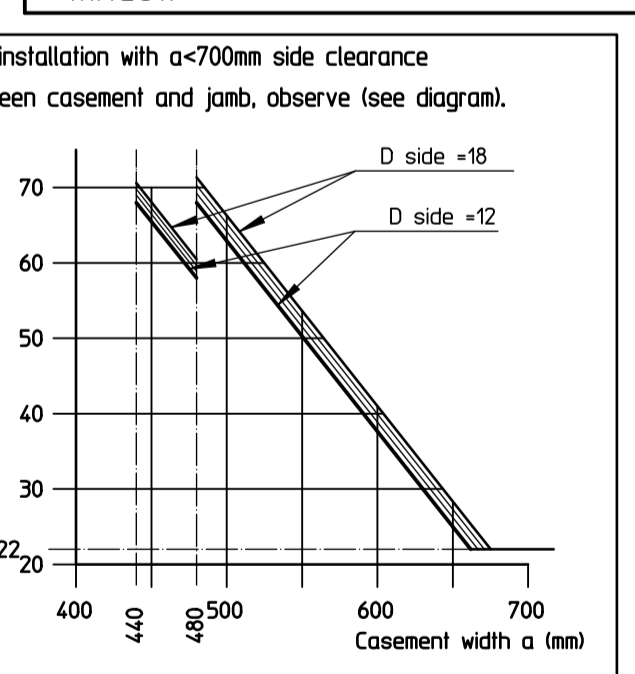
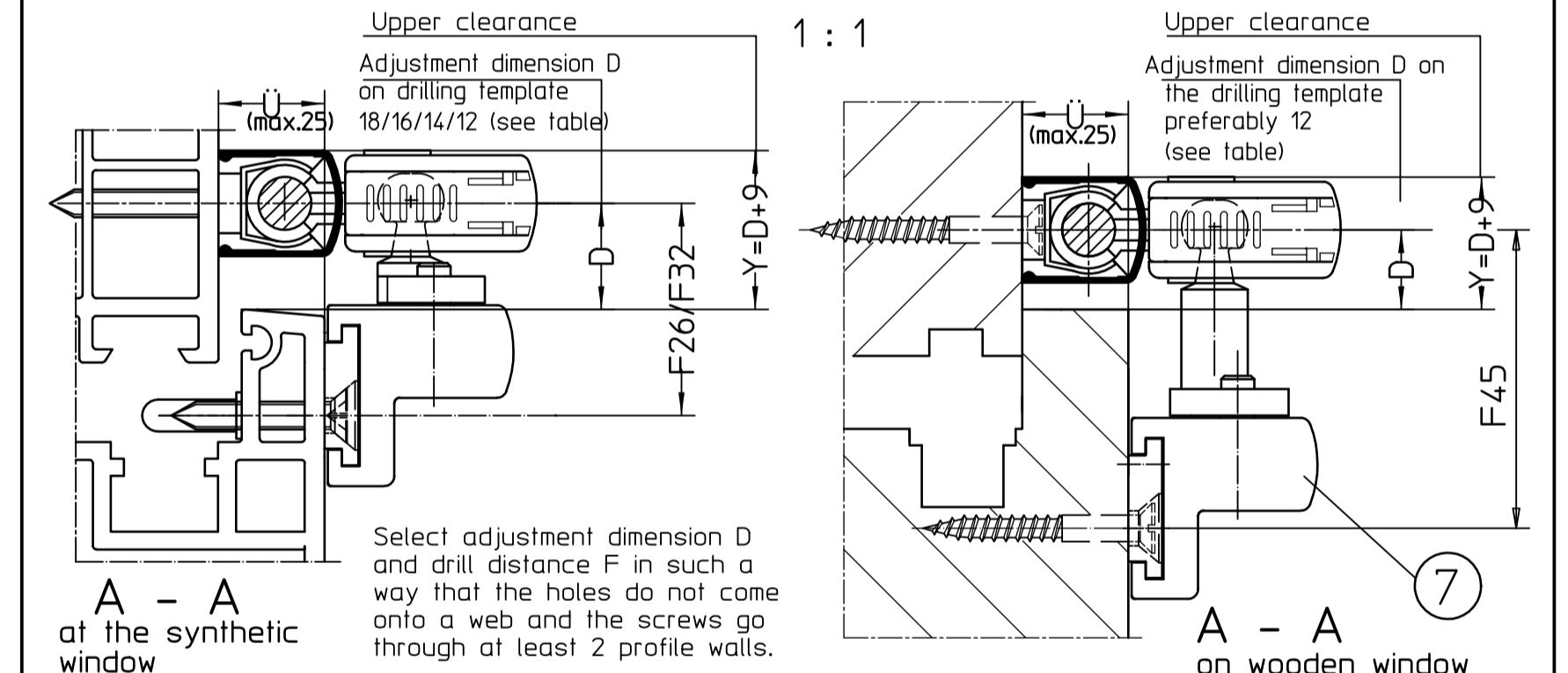
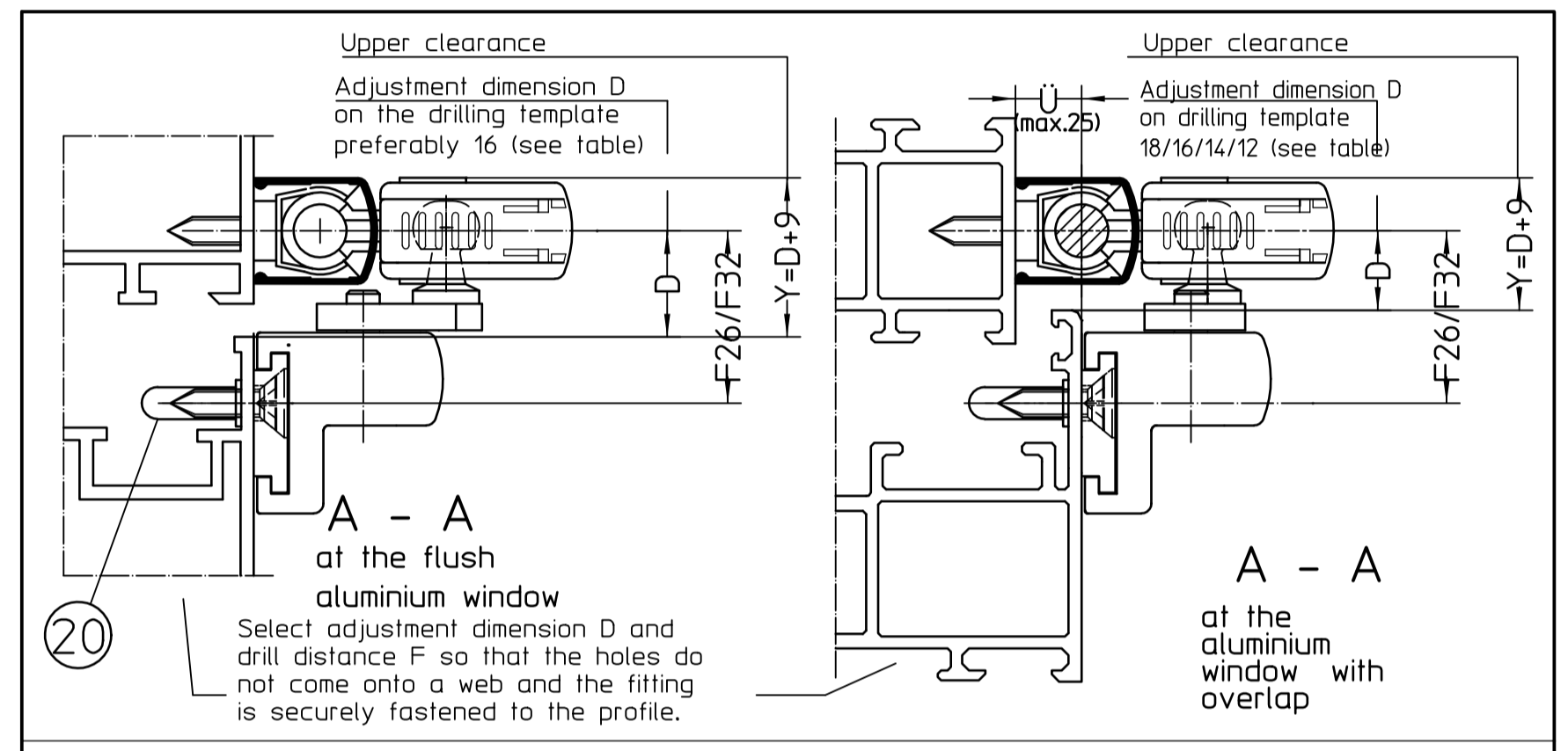


Window type	Fixing screws	Drill ϕ
Wood	Countersunk wood screws 4x35 DIN 97 or DIN 7997	2.5mm
Aluminium	Countersunk self-lapping screws 4.2xL DIN 972 or DIN 982 Screw must go through min.18mm profile wall	3.5mm
Plastic	Countersunk self-lapping screws 4.2xL DIN 972 or DIN 982 Screw must go through min.2 profile walls	3.5mm

Fixing screws are not included in the delivery.

Further installation drawings for GEZE OL95:

- OL95 with Fz91 and additional locking 40445-EP-12
- Additional sheet for 40445-9-0955
- OL95 with gear Fz91 or Fz92 for pitched window 40445-EP-09
- Crank rods and accessories for gears Fz90, Fz91, Fz92 40444-EP-11



Important information:

- Installation drawing, installation instructions, maintenance and operating instructions must be observed.
- The specified area of application must be observed.
- The prescribed fitting dimensions must be used.
- The prescribed mounting elements must be used.
- In order to avoid injuries protective caps are to be screwed onto projecting threads of the fastening screws.
- Fittings are drawn in the closed position. However, mounting is carried out in the open position.
- All fixing screws must be tightened in the open position with an Allen key SW3 with 5Nm.
- After assembly and before commissioning, the function of tightening all fixing screws must be checked, and all fixing screws must be tightened again.
- The joints and sliding points must be greased with an acid-free grease in accordance with DIN 51825.
- The free accessibility of the fitting parts for greasing and maintenance must be ensured in accordance with DIN 18357.
- If rods and cover profiles from other manufacturers are used, GEZE assumes no warranty and no liability for the resulting damage and consequential damage.
- From a free rod length of 600mm, rod guides must be used.
- The use of a suitable safety catch is prescribed for bottom-hung windows (see GEZE gripping and cleaning scissor stay).
- For assembly, observe dimension "Q" from the end of the scissors bearing to the reveal Q = min. 230 mm

Area of application

The OL95 can be used for vertically installed rectangular windows with bottom order top-hung casements inward opening in dry interiors. All other applications must be requested from the factory.

Panel weight	Max. permissible total casement width			Number of scissors (min)
	1 casement	casements 2	casements 3	
bis 20 kg/m ²	1200	2400	2800	1
	2400	2400	2800	2
	3600	2800	2800	3
bis 25 kg/m ²	1200	2400	2600	1
	2400	2400	2600	2
	2800	2600	2600	3
bis max.30 kg/m ²	1200	-	-	1
	2000	2000	2000	2
	2000	2000	2000	3

1: e.g. with wings of different widths (tx1 + tx2 scissor stays)

As long as the range of application (see table) is not exceeded, up to 3 scissors may be mounted. In order to ensure the necessary driving rain safety of the window according to DIN 18055 for the respective application, we recommend the installation of 2 scissor stays from a=1050mm or 3 scissor stays from a=1550 mm. Accordingly, with casement heights of b>600 mm, the casement should be moved accordingly.

Provided that the range of application of the OL 95 (see table) is not exceeded, the total casement weight must not exceed 60 kg.

a = Casement width (min. 440mm) or sum of all casement widths
b = Casement height (min. 350mm)
i = Distance from the centre of gravity of the casement to the hinge pivot point min. 10 max. 60 mm
U = Overlap height 0-25mm
D = Outer edge of casement to centre of V-arm (see table)
X = Side clearance = D+10mm (also see chart)
with removable crank rod X = D+14
Y = Upper clearance (see table)

When using the additional locking, attach with D=16mm!

Casement height	b	D top	Y top
350 to 400mm	18mm	D + 9mm	D + 9mm
401 to 450mm	16 to 18mm	D + 9mm	D + 9mm
451 to 600	14 to 18mm	D + 9mm	D + 9mm
from 601mm	12 to 18mm	D + 9mm	D + 9mm

Technical data

- Opening width approx. 220mm (standard), fitting stroke 54mm
- can be limited to approx. 150-180mm, fitting stroke 38-42mm
- with stroke limiter for gear Ident. no. 12335

Order requirement for rectangular window OL90N with ...	Fitting parts (see BOM)	Fitting parts (see BOM)					
		A	B	B1	C	D	E
Gear Fz 90 left	Aluminium/PVC window	X				X	
	Wooden window		X	X		X	
Gear Fz 90 right	Aluminium/PVC window	X					X
	Wooden window		X	X			X
Gear Fz 91	Aluminium/PVC window	X			X		
	Wooden window		X	X	X		

* Cover profile and rod must be ordered separately

Name	Ident no. for version:						Pc.
	EV1	Dark bronze	White RAL9010	White RAL9016	black	acc. to RAL...	
A Scissor stay OL95	82445	82446	82447	82448	82450	82449	7
Content:							
1 Flat form scissor stay OL95							
2 Scissor stay base							
3 Casement bracket							
4 Rod guide							
5 Screw plate							
6 Connection							
20 Protective cap							
B Scissor stay OL95 without casement bracket	84194	84195	84196	84197	84198	84199	5
Content:							
1, 2, 4, 6,							
B1 Casement bracket for wooden windows with Euro-groove F=45	30886	30887	30888	30890	99475	30889	2
Content:							
5, Casement bracket for wooden window							
C Corner transmission for gear Fz91	30817	30818	30817	30817	30818	30817	6
Content:							
8 Corner transmission							
9 Gear							
10 Flat form scissor stay OL95							
11 of universal joint							
12 Spring pin 4x16 for fixed crank rod							
13 Spring pin 4x20 for removable crank rod							
14 Cover cap							
D Corner bracket with gear Fz90 left	30809	30810	30809	30809	30810	30809	4
Content:							
Pos.: 10, 11, 12, 13, 14							
1 Corner bracket with gear Fz90L							
E Corner bracket with gear Fz90 right	30811	30812	30811	30811	30812	30811	4
Content:							
Pos.: 10, 11, 12, 13, 14							
1 Corner bracket with gear Fz90R							
Rods and cover profiles							
Cover profile L=2m *	30401	30402	30403	30405	74537	30404	
Cover profile L=3m *	30396	30397	30398	30400	74539	30399	
Cover profile L=6m	27558	27559	27560	27561	74540		
Rod $\phi 8$ galvanised L=2m							16555
Rod $\phi 8$ galvanised L=3m							16591
Rod $\phi 8$ galvanised L=6m							16592
Accessories (Must be ordered separately)							
Drilling template				For wood 54799 yellow		for plastic/metal 54800 blue	
Additional drilling template OL90N for wooden windows F=45							28141
Rod coupling OL90 N							43546
Stroke limiting device for gear							10878
							12335
* Cover profile mitre cut on both sides							

Alle Zeichnungen unterliegen dem Einverständnis der Zeichnungsstelle über die Weitergabe an Dritte. Die Weitergabe an Dritte ist ohne schriftliche Genehmigung der Zeichnungsstelle untersagt. Die Weitergabe an Dritte ist ohne schriftliche Genehmigung der Zeichnungsstelle untersagt. Die Weitergabe an Dritte ist ohne schriftliche Genehmigung der Zeichnungsstelle untersagt.