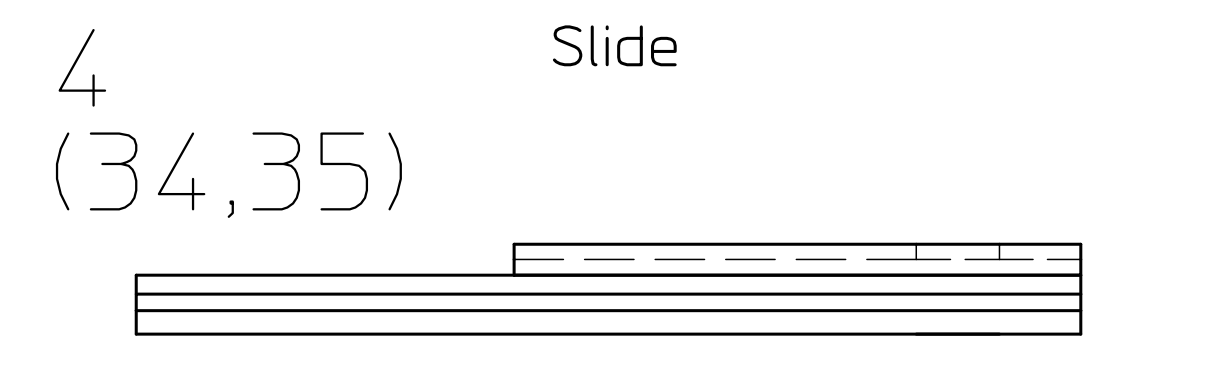
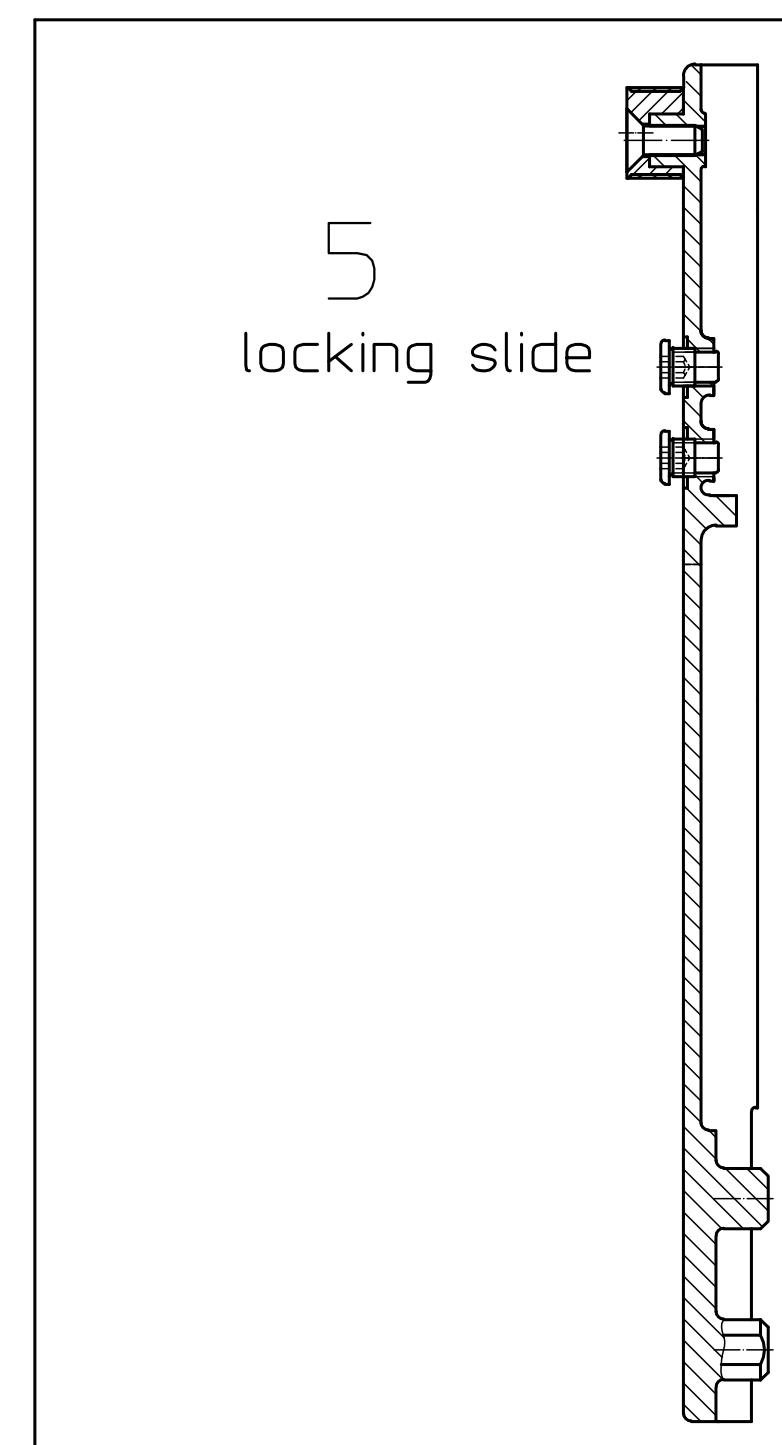


14 (39)
Locking part

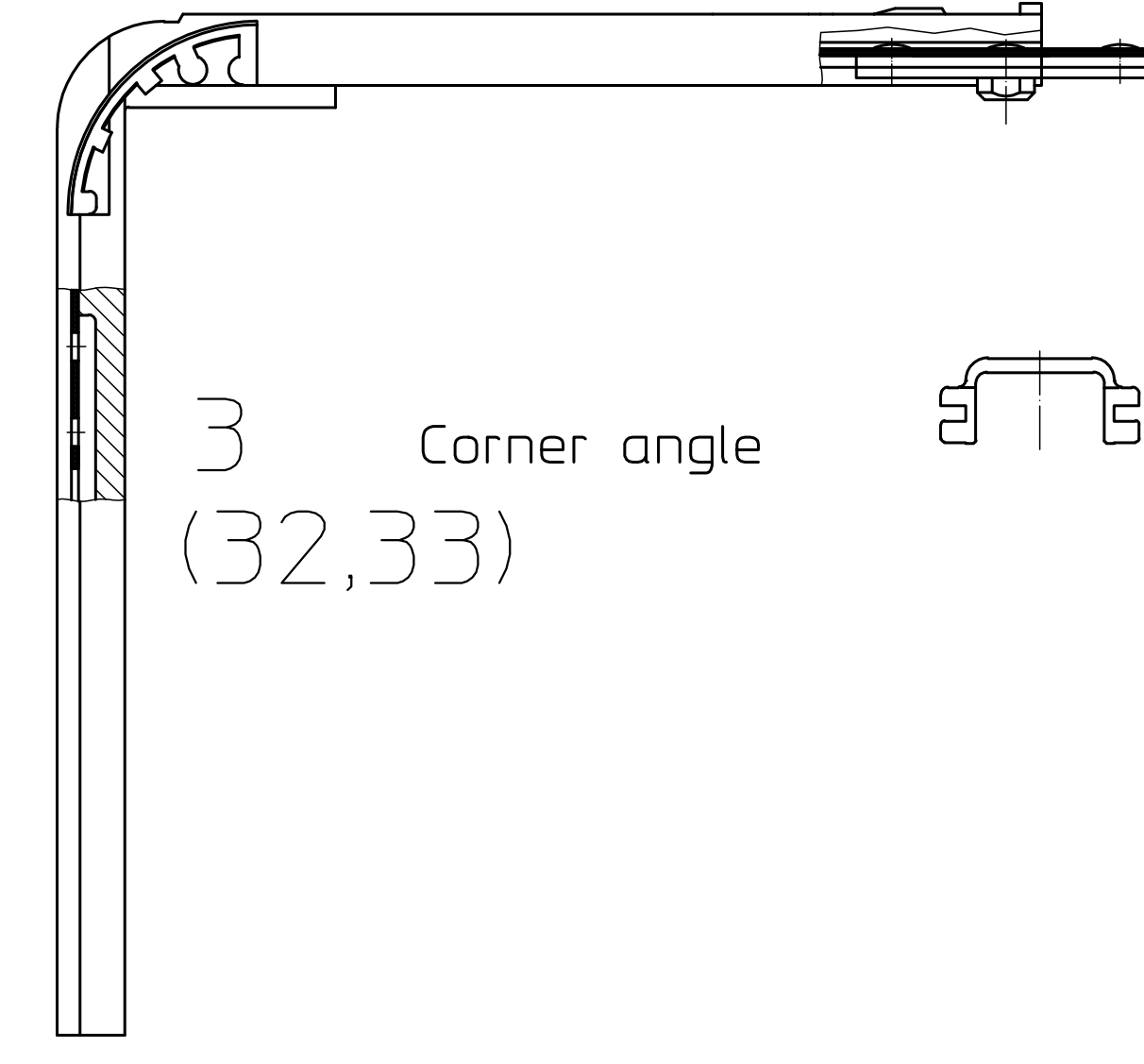
Schnitt
A - B



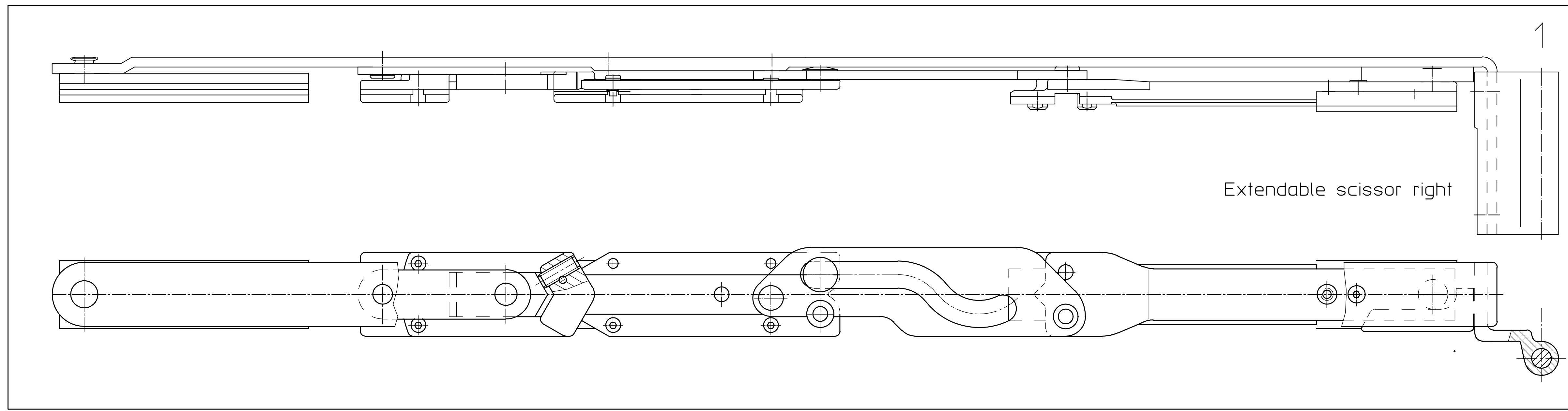
4
(34,35)
Slide



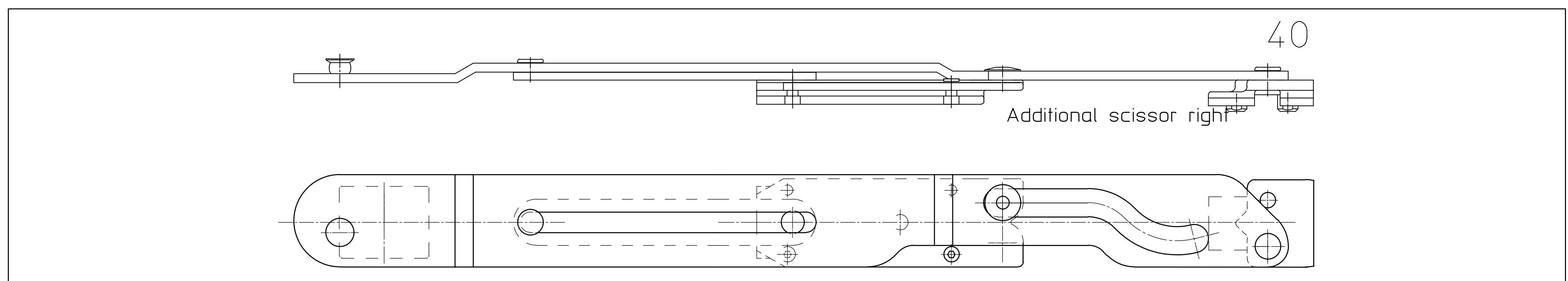
5
locking slide



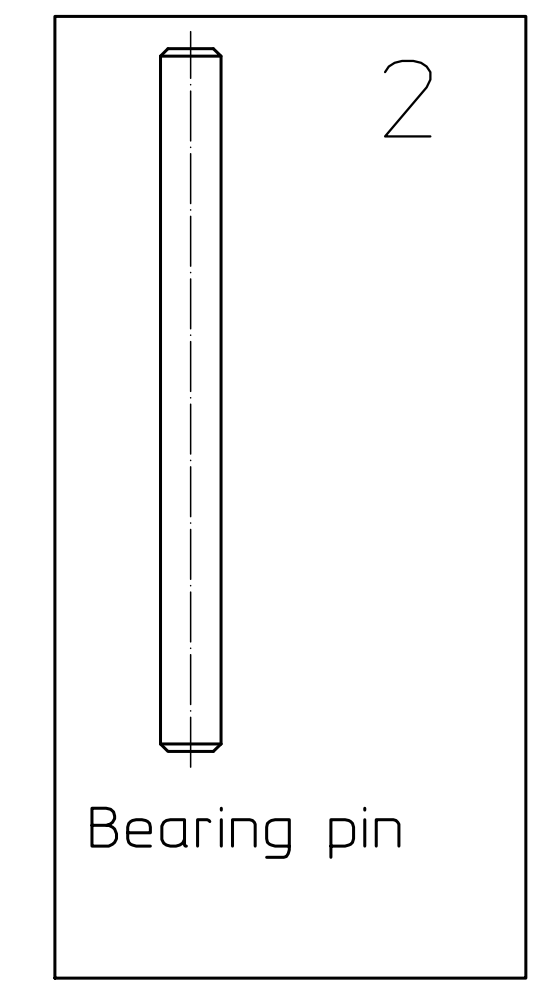
3
Corner angle
(32,33)



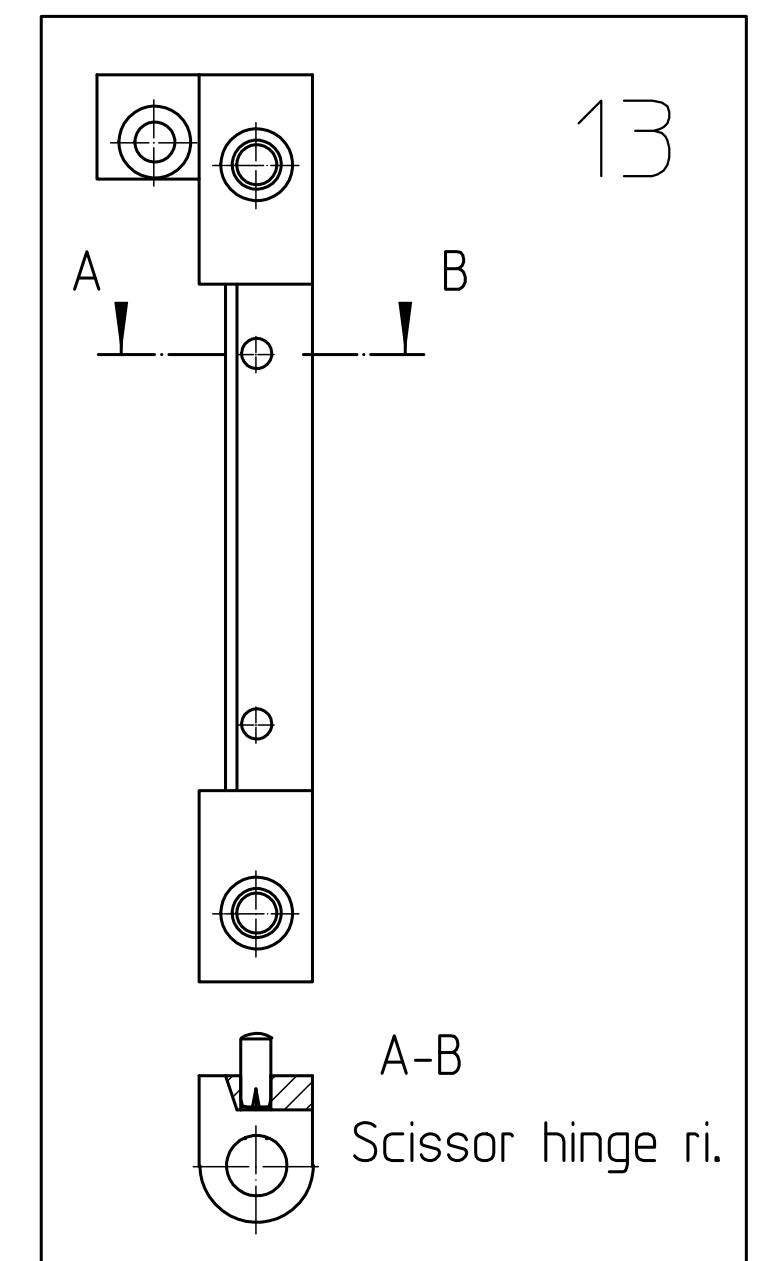
Extendable scissor right



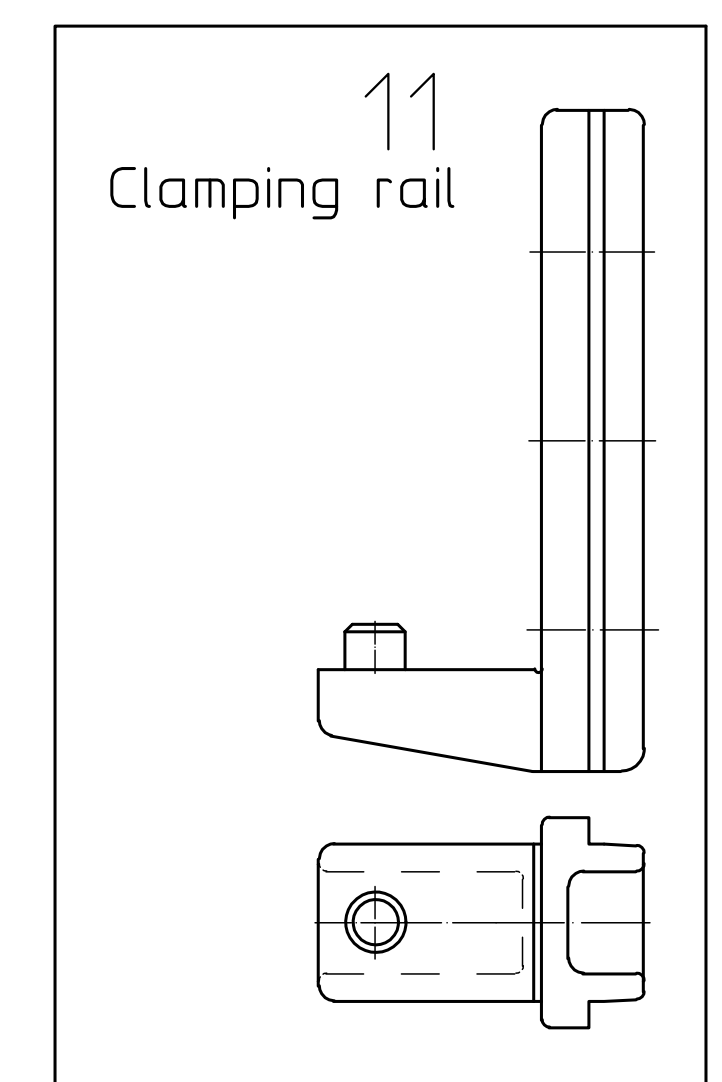
Additional scissor right



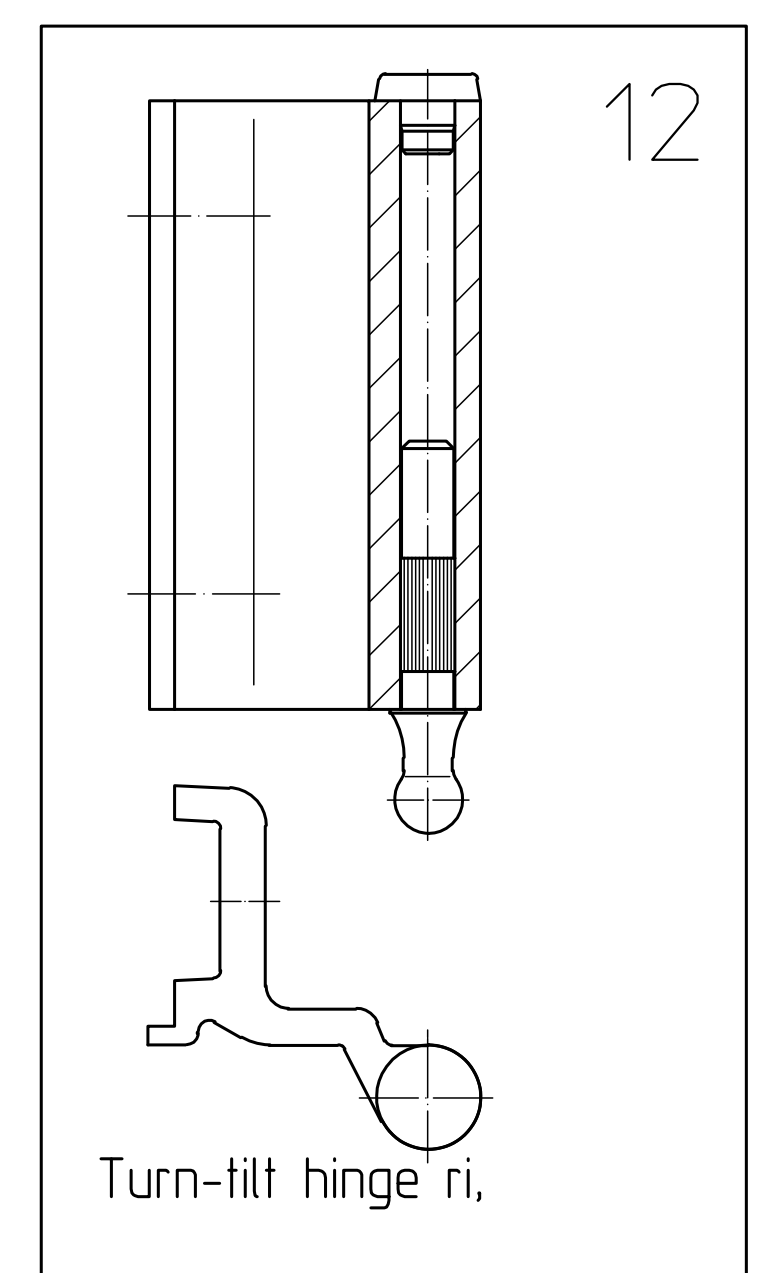
Bearing pin



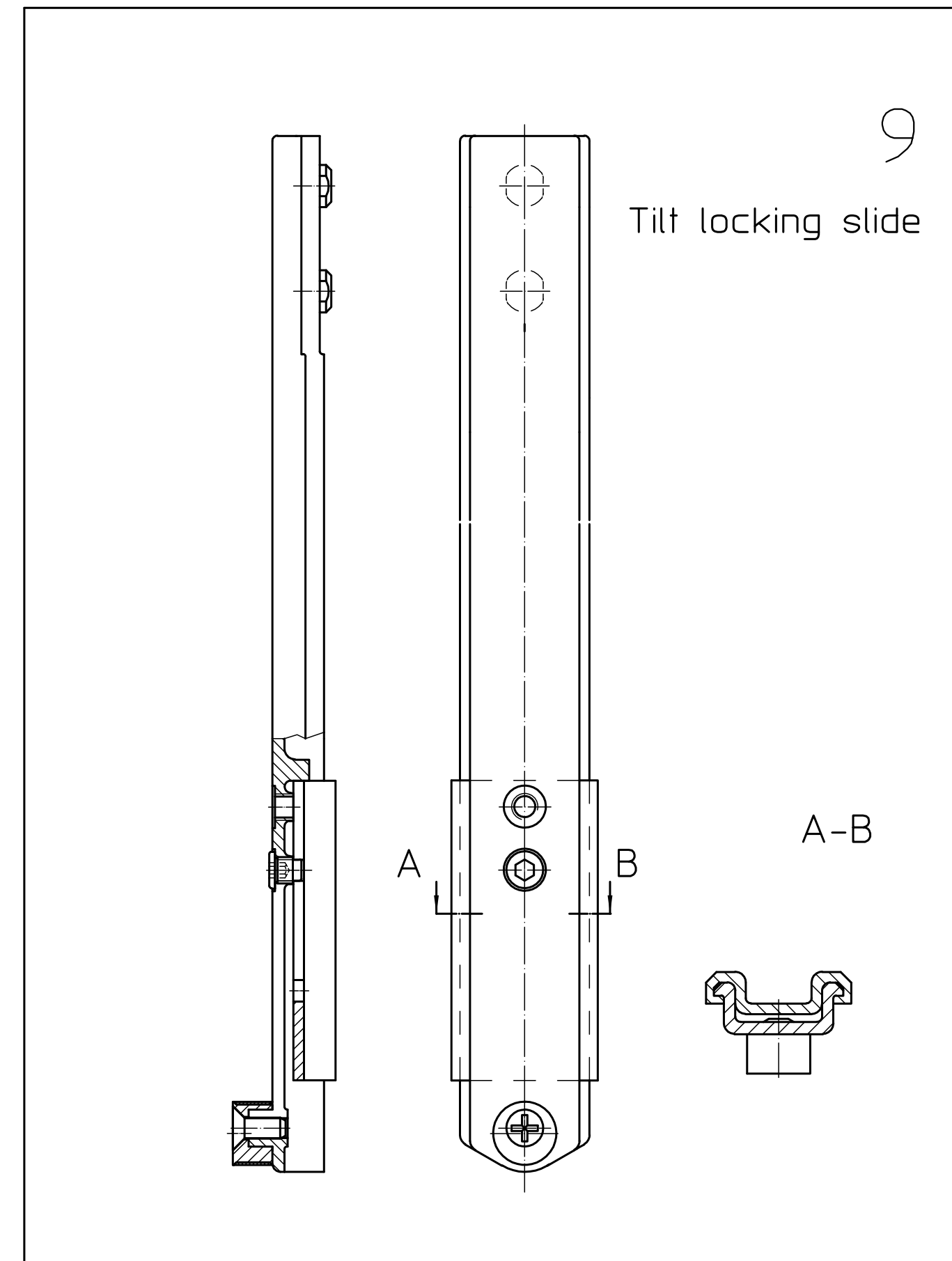
A-B
Scissor hinge ri.



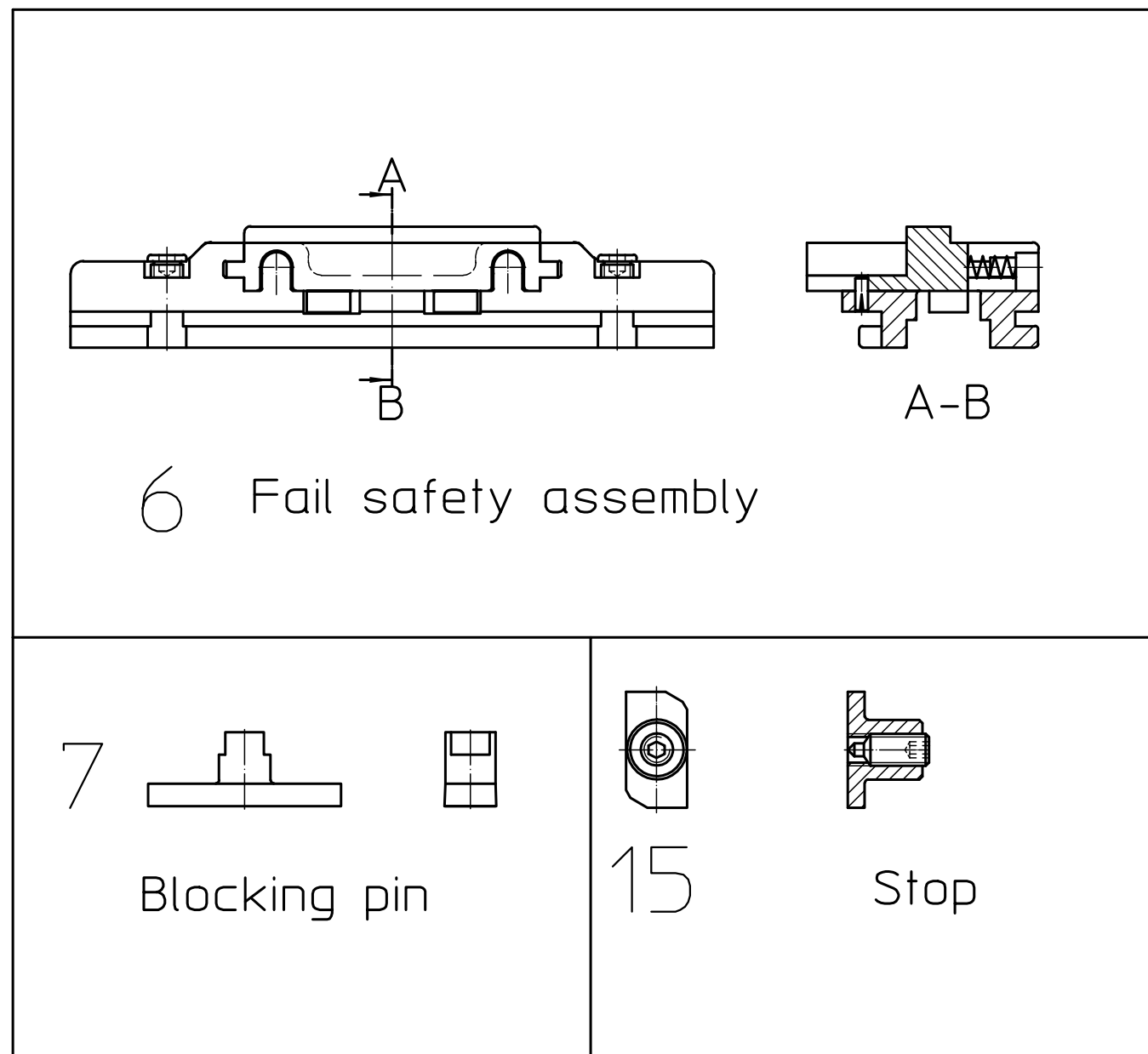
11
Clamping rail



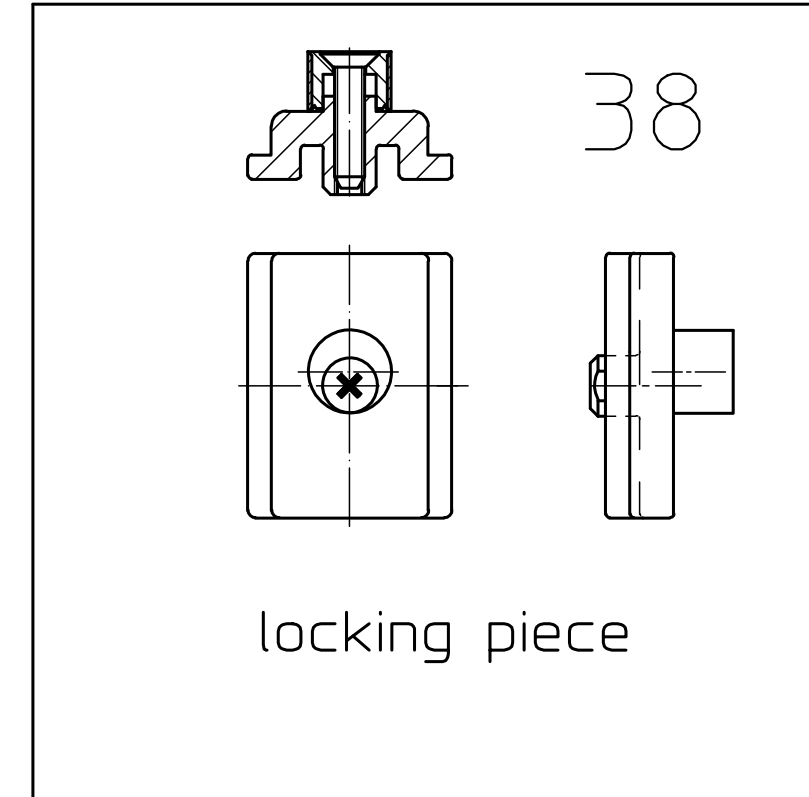
Turn-tilt hinge ri.



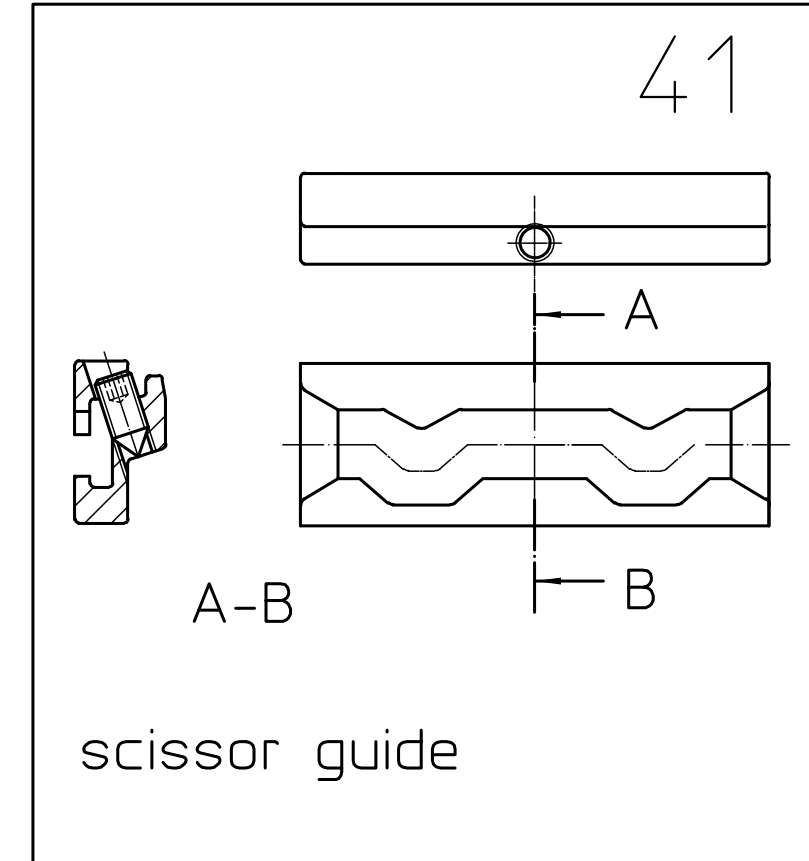
9
Tilt locking slide



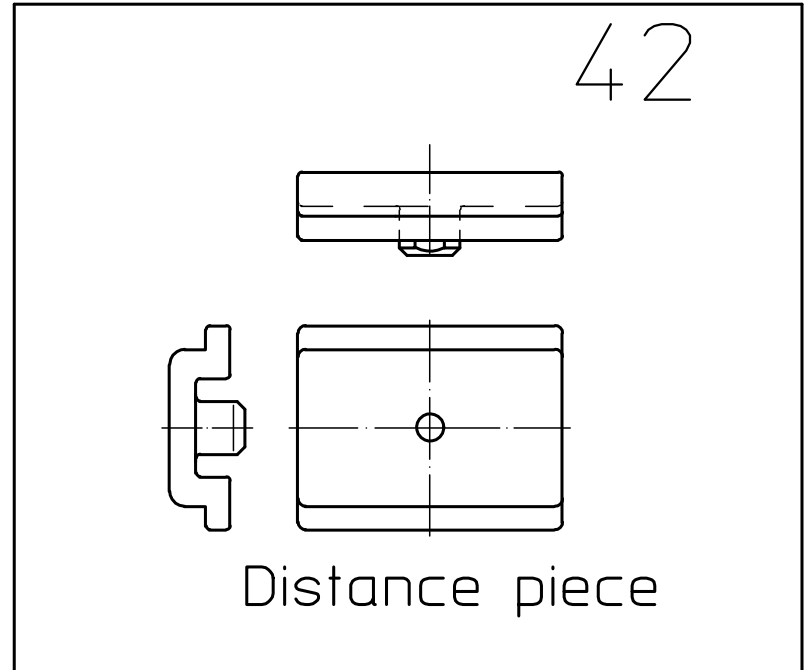
6
Fail safety assembly



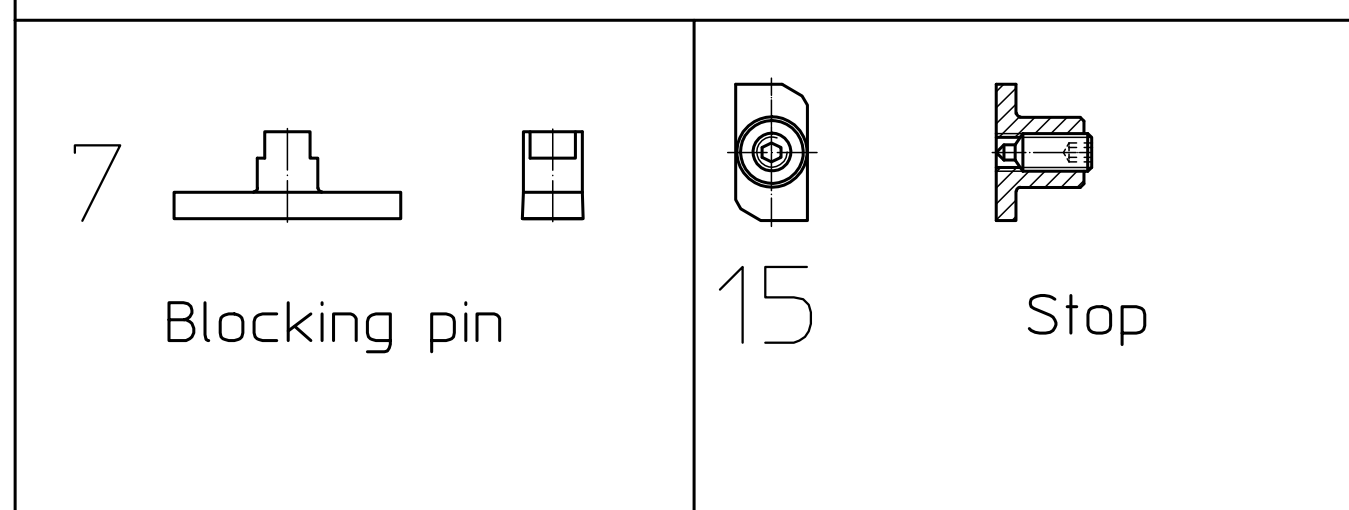
locking piece



scissor guide

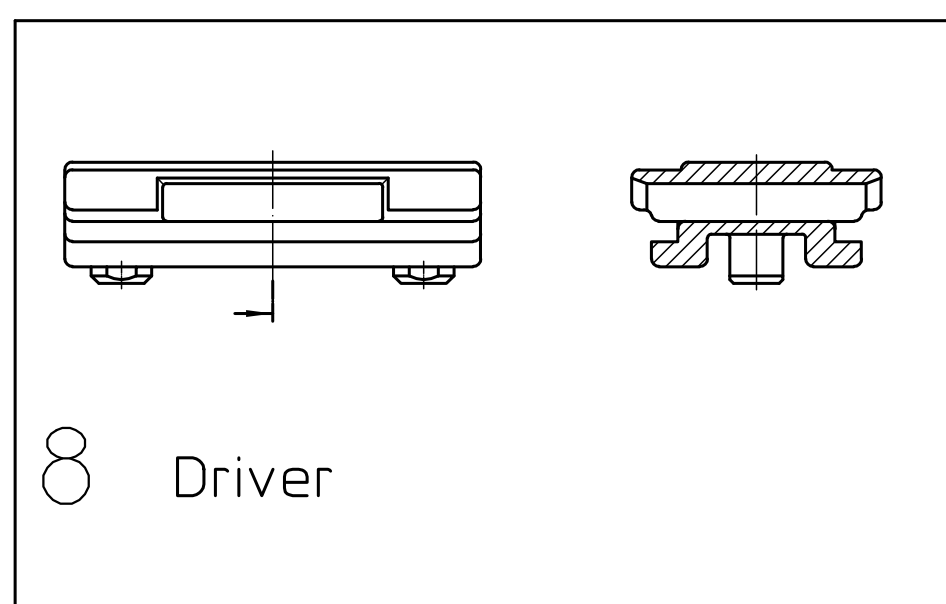


Distance piece

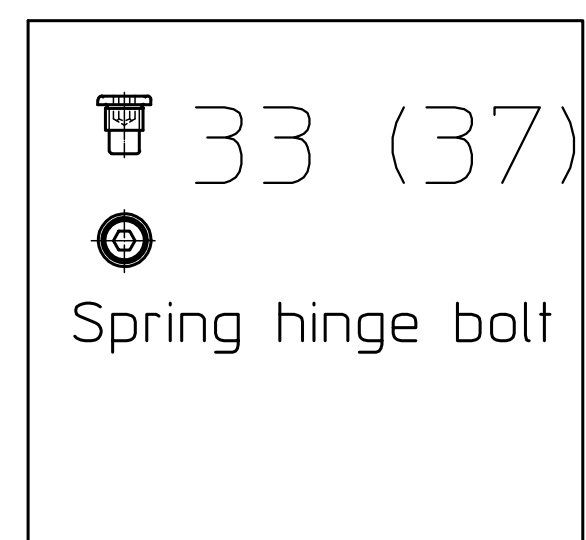


7
Blocking pin

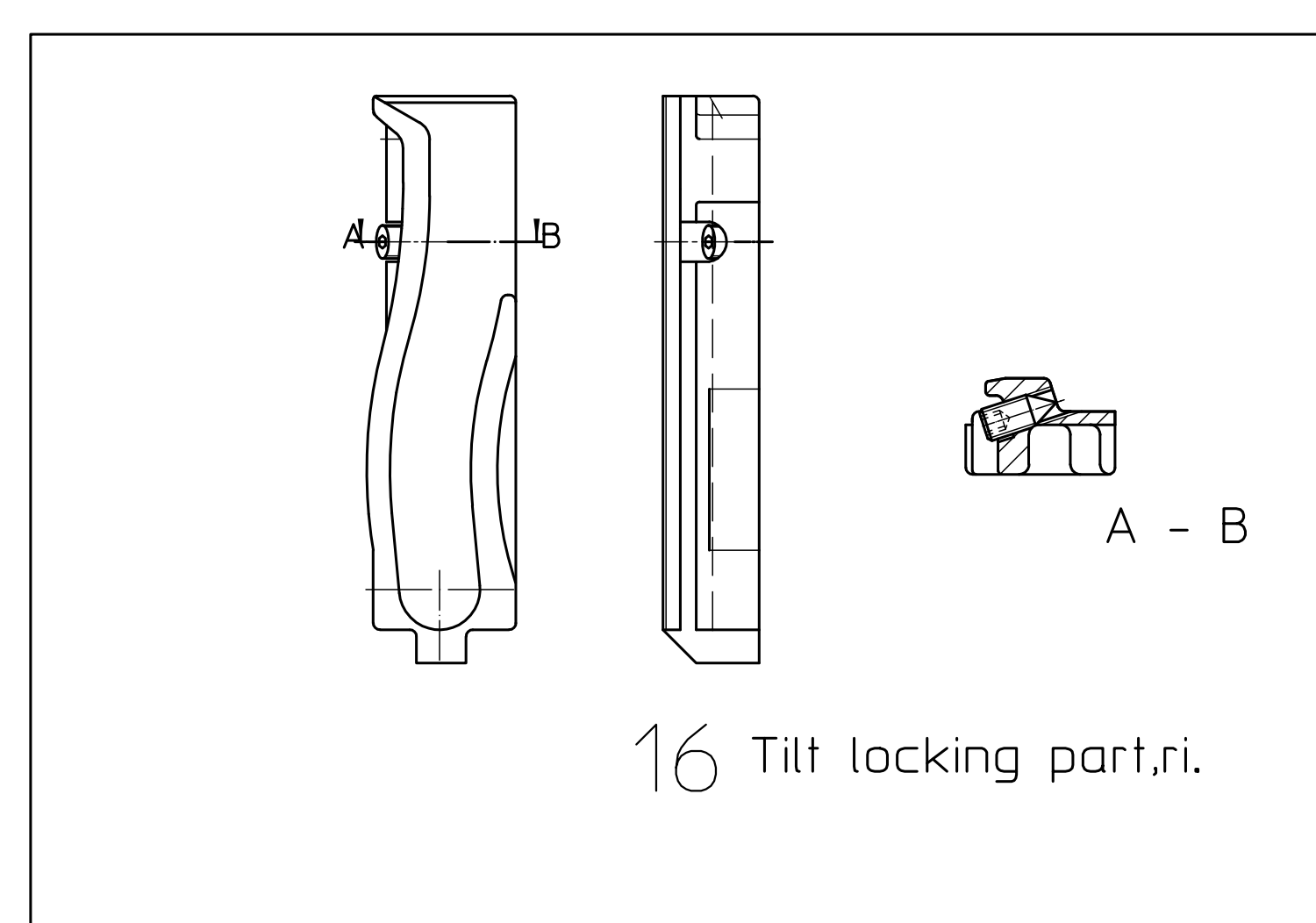
15
Stop



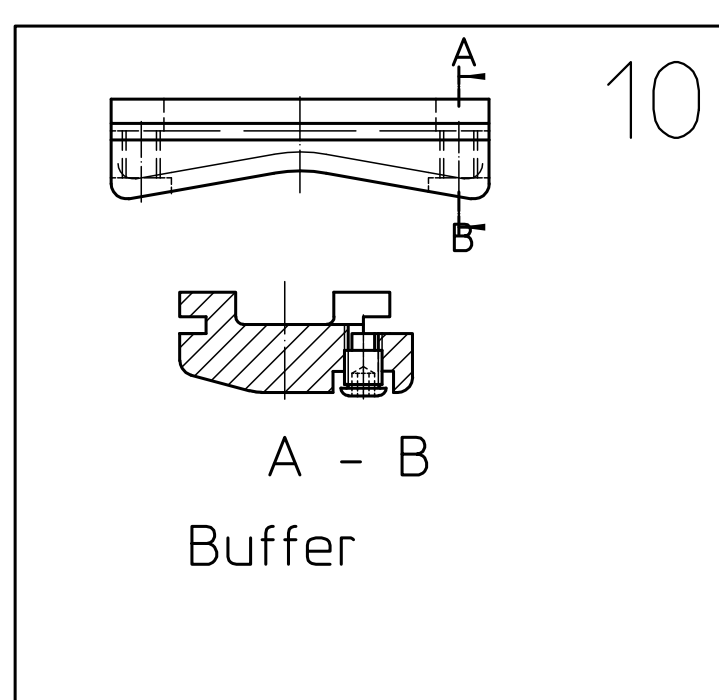
8
Driver



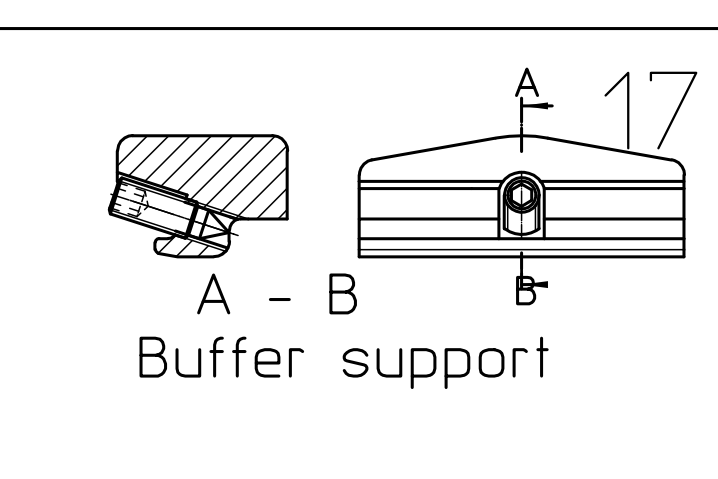
33 (37)
Spring hinge bolt



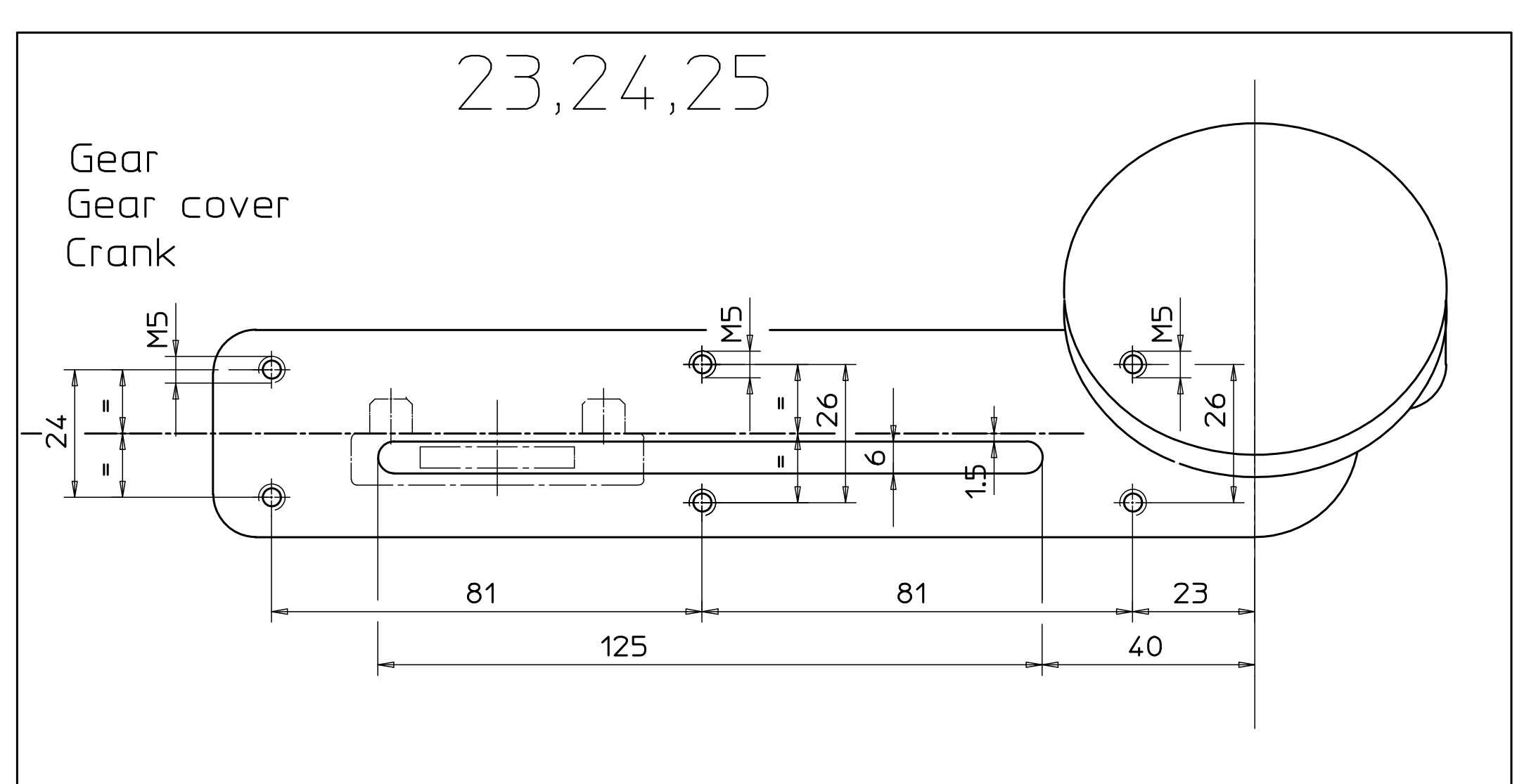
16
Tilt locking part,ri.



Buffer



Buffer support

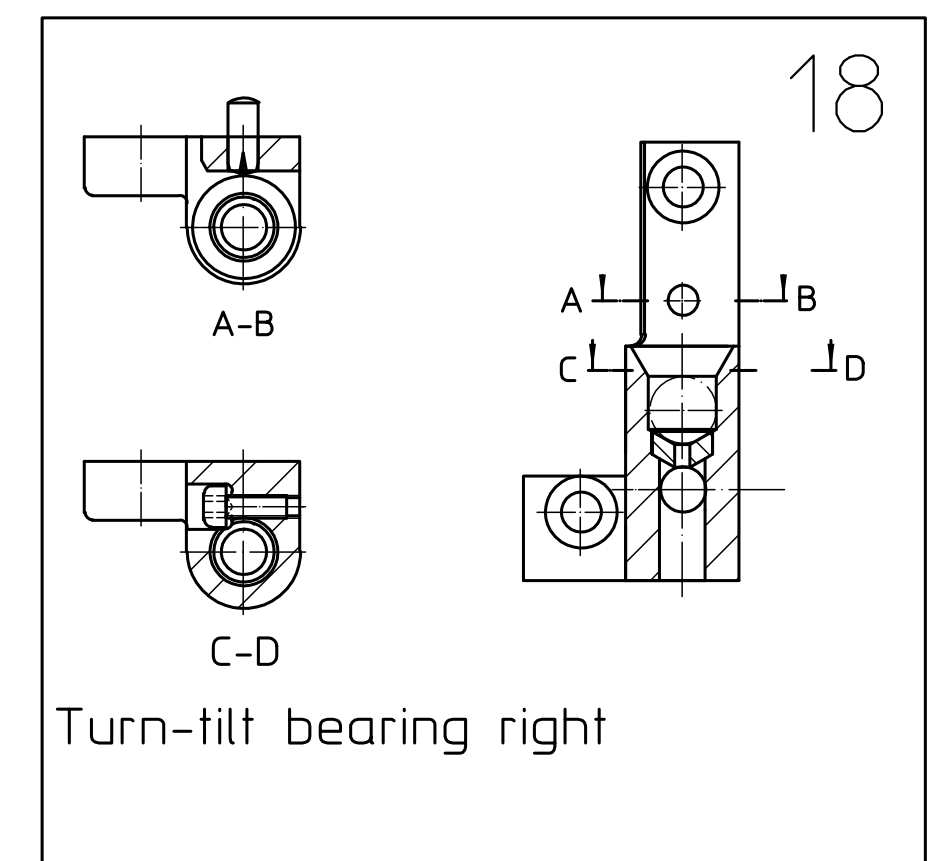


Gear
Gear cover
Crank

23,24,25

pos./pcs.	Designation	GEZE-No.			
		Right	Left	Right	Left
Basic fitting comprising:					
1	Extendable scissor	062908	015859	062910	015865
2	Bearing pin	062916	015820	062918	015846
3	Corner angle		062915		
4	Slide		063005		
5	Locking slide		062938		
6	Fail safety assembly		062946		
7	Blocking pin		063029		
8	Driver		063030		
9	Tilt locking slide		062939		
10	Buffer		062940		
11	Clamping rail		062964		
12	Turn-tilt hinge	062933	015839	062935	015840
13	Scissor hinge	062925	015831	062927	015834
14	Locking part		062944		
15	Stop		062945		
16	Tilt locking part		062942		062943
17	Buffer support		062941		
18	Turn-tilt bearing	062929	015835	062931	015837
Screws comprising:					
19	Countersunk screw M5x16-H ISO 7046-1		020987		
20	Countersunk screw M5x20 DIN 965		008629		
21	L. counters. screw M5x30 DIN 966 A2		063035		
22	Countersunk screw M5x30 ISO 7046-1		063735		
Gear comprising:					
23	Gear	063226	015866	063228	015867
24	Gear cover		063050		063052
25	Crank	063042	015842	063044	015843
Gear with lock comprising:					
26	Gear lockable		063055		063056
27	Gear cover		063046	015847	063048
28	Crank		063053	015851	063053
Gear with removable crank comprising:					
29	Gear		063375	015870	063377
30	Gear cover		063330		063331
31	Operating crank for gear		063042	015842	063044
* Corner angle for Gear horizontal					
32	Corner angle		063211		063211
33	Spring hinge bolt		062915		062915
34	Slide		062997		062997
Vertical/horizontal central locking system comprising:					
35	Slide		063005		063005
36	Corner angle		062915		062915
37	Spring hinge bolt		062997		062997
38	Locking piece		062937		062937
39	Locking part		062944		062944
Secondary scissor comprising:					
40	Additional scissor		062913		062914
41	scissor guide		062922		062923
42	Distance piece		062924		063318

* If a horizontal central locking system is used, no corner angle with accessories is necessary in the case of horizontal gear mounting!



Turn-tilt bearing right

Parts drawn right, left mirror image.

GEZE		GEZE		GEZE	
Vertrieb / distribution	Produktion / production	Vertrieb / distribution	Produktion / production	Vertrieb / distribution	Produktion / production
EV1	RAL	EV1	RAL	EV1	RAL
Overview fitting parts from KDK F 1200					
EV1/ RAL					
Scale: 1:1					
Drawing No. / document no. 50712-9-0991					