

TS 1000 C



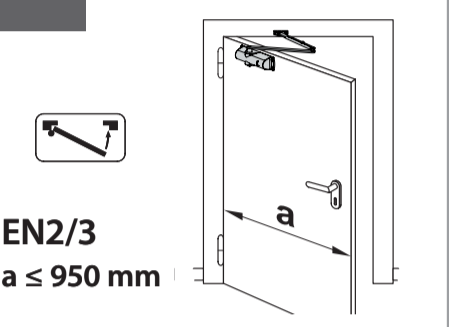
101833-08

GEZE

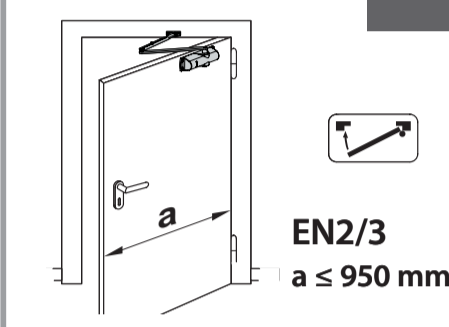


A

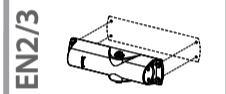
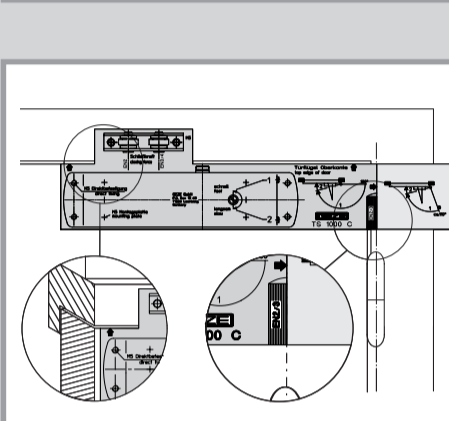
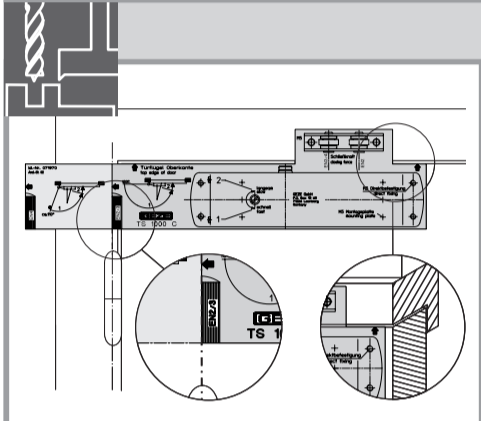
B



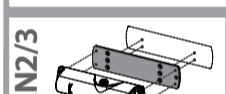
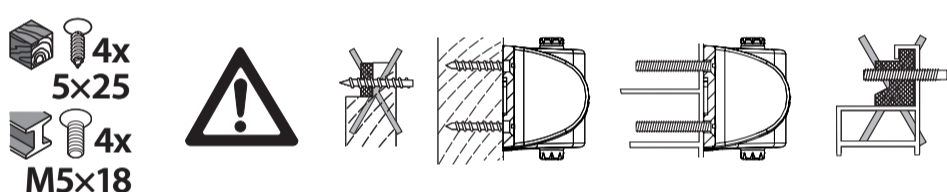
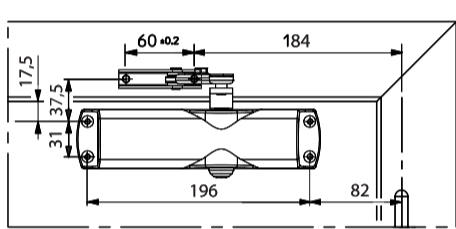
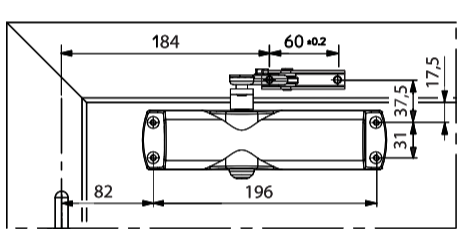
EN2/3
a ≤ 950 mm



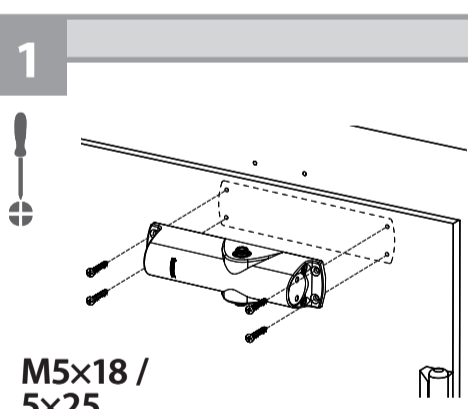
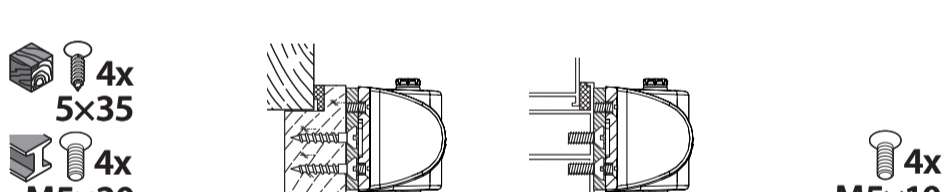
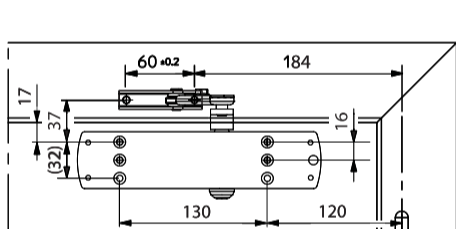
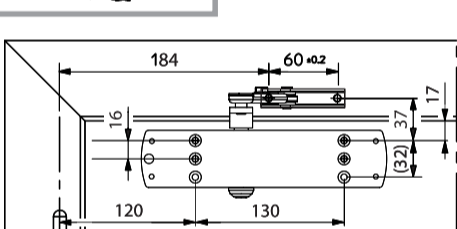
EN2/3
a ≤ 950 mm



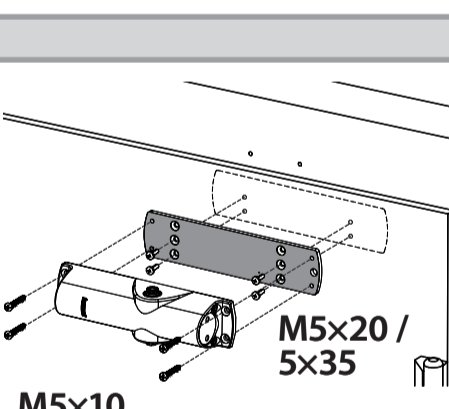
EN2/3



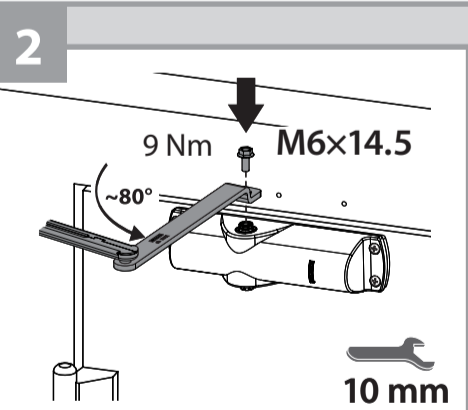
EN2/3



M5x18 / 5x25

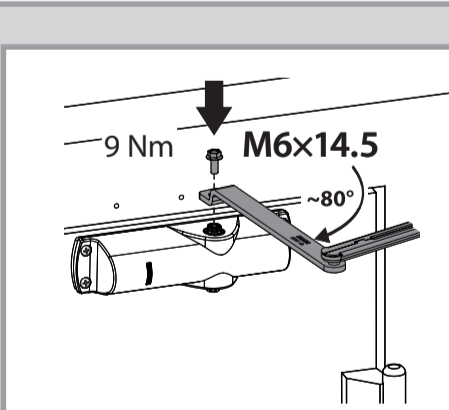


M5x10 / 5x35

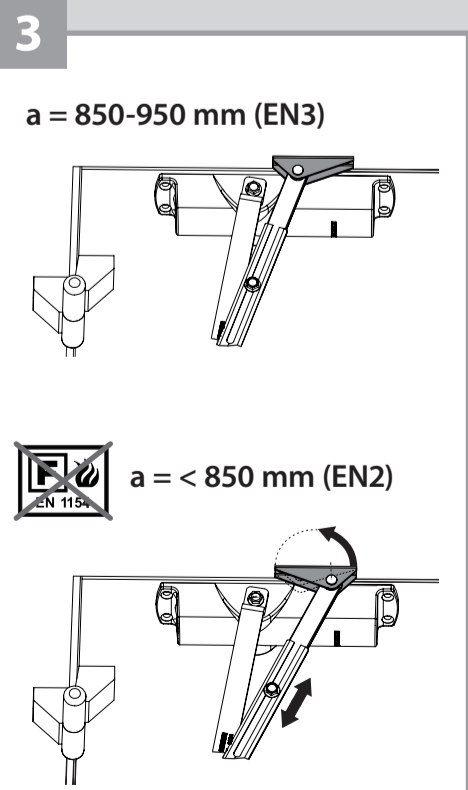


9 Nm M6x14.5
~80°

10 mm

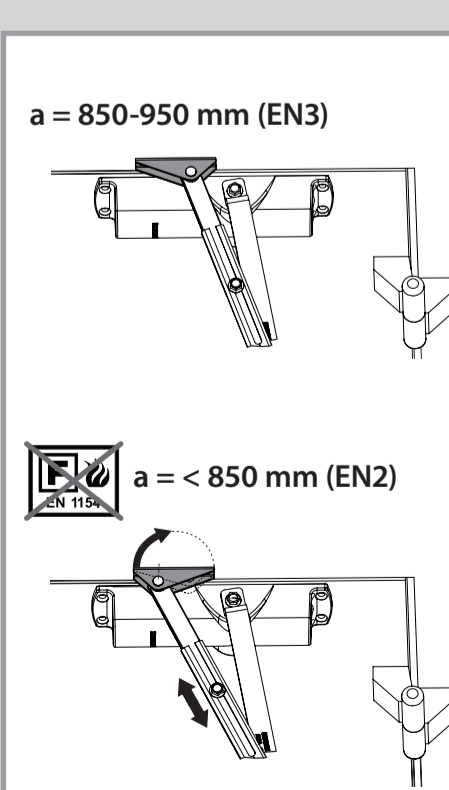


9 Nm M6x14.5
~80°



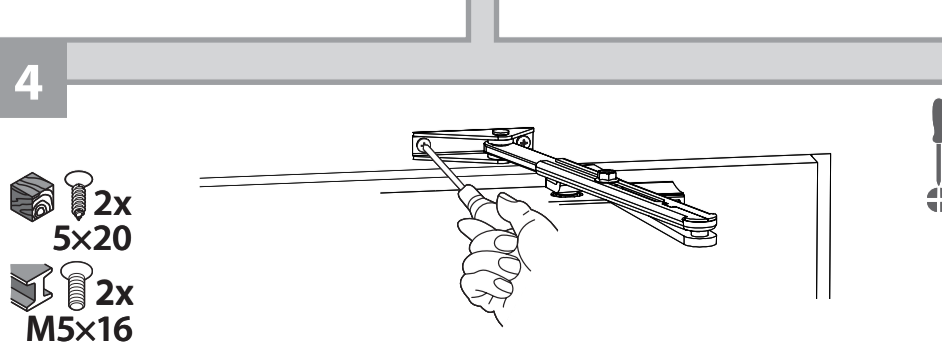
a = 850-950 mm (EN3)

a = < 850 mm (EN2)



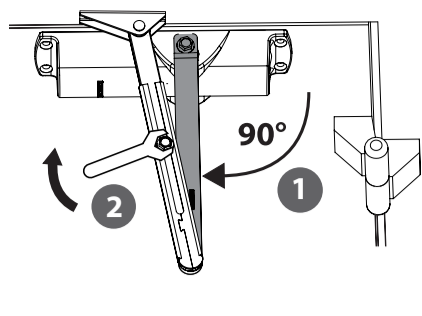
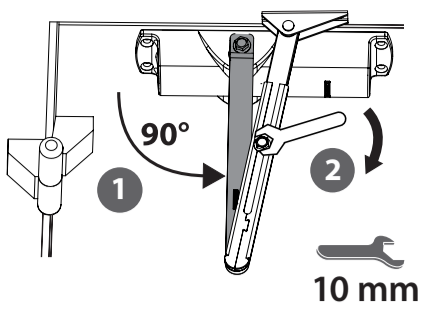
a = 850-950 mm (EN3)

a = < 850 mm (EN2)

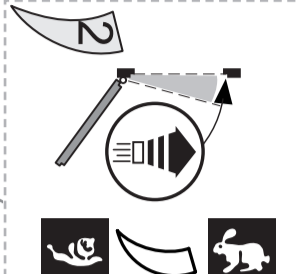
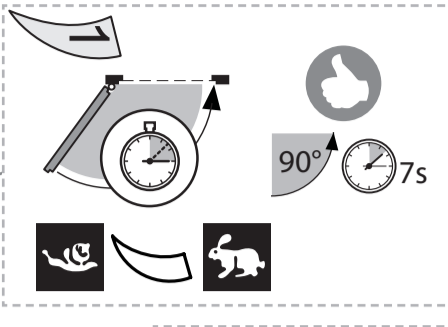
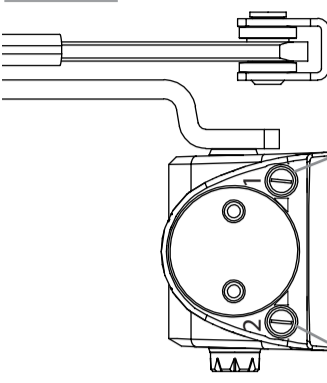


2x 5x20
2x M5x16

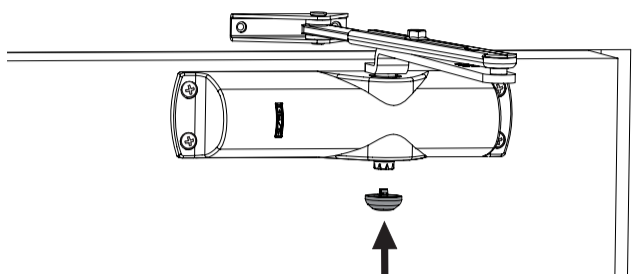
5



6

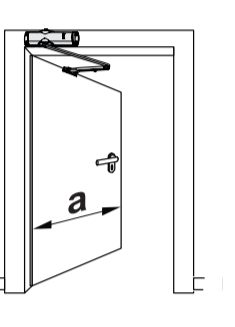


7

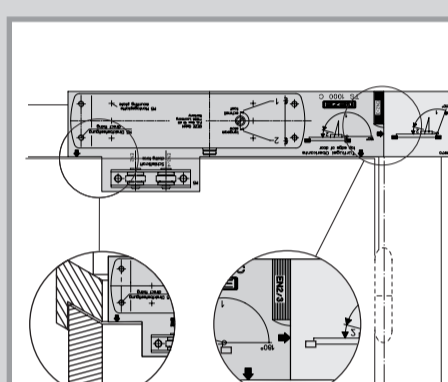
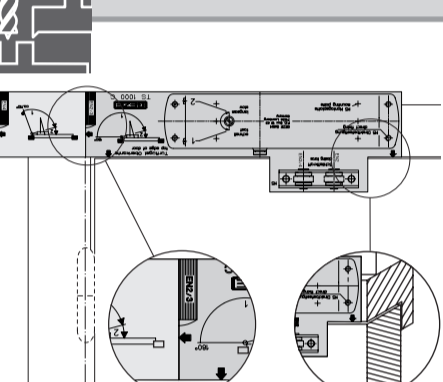
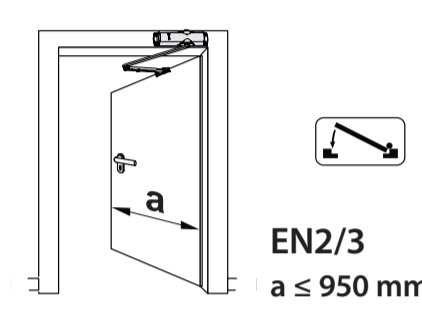


i

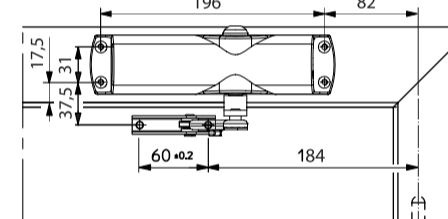
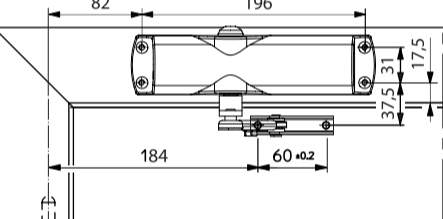
EN2/3
a ≤ 950 mm



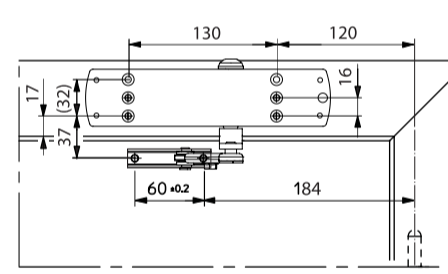
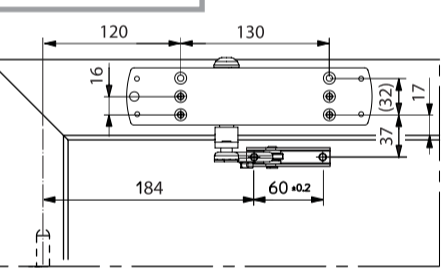
EN2/3
a ≤ 950 mm



EN2/3

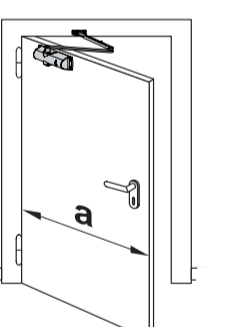


EN2/3

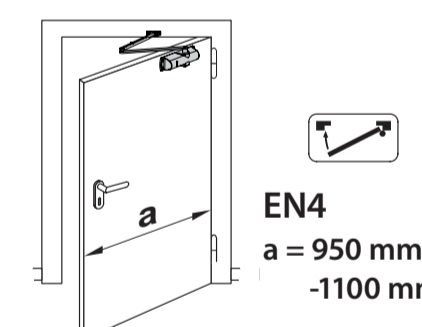


i

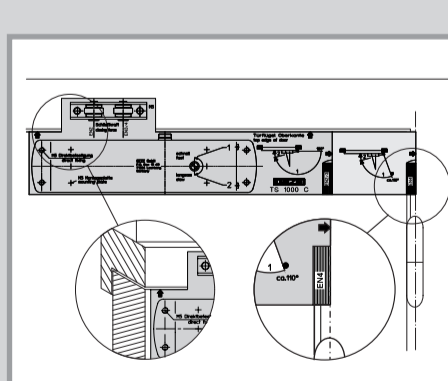
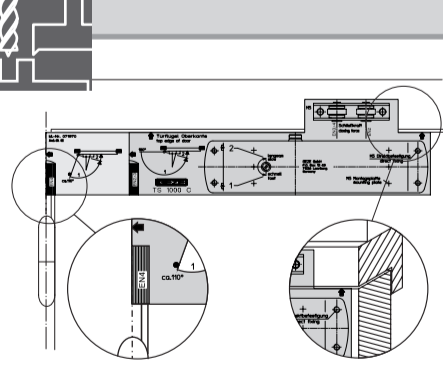
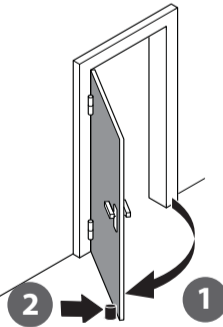
EN4
a = 950 mm
-1100 mm



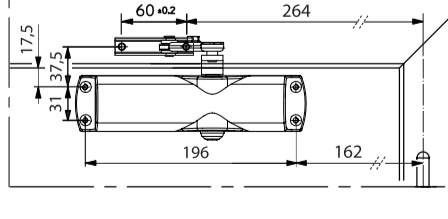
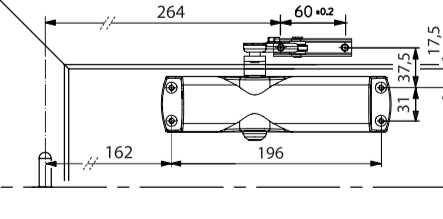
EN4
a = 950 mm
-1100 mm



i+



EN4



EN4

