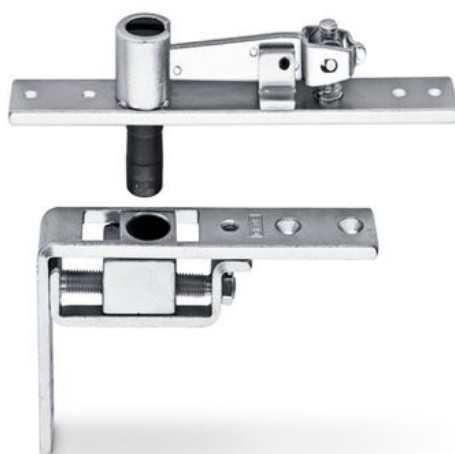


Product data sheet

Pivot hinge for double-action doors



Model B, suitable for C, CM, S door rail

AREAS OF APPLICATION

- Can be combined with door rails model C, CM, S
- Metal and timber doors

Pivot hinge for double-action doors



PRODUCT FEATURES

→ Adjustable pivot point

TECHNICAL DATA

Productname	Pivot hinge for double-action doors
Hold-open of fire protection doors	No

VARIANTS / ORDER INFO

Designation	Description	Ident-No.	Colour
Adjustable pivot hinge double-action doors	Model B, suitable for C, CM, S door rail	006371	Galvanised
Adjustable pivot hinge double-action doors	Model B, suitable for C, CM, S door rail	000903	Galvanised
Adjustable pivot hinge double-action doors	Model B, suitable for C, CM, S door rail	000108	Galvanised